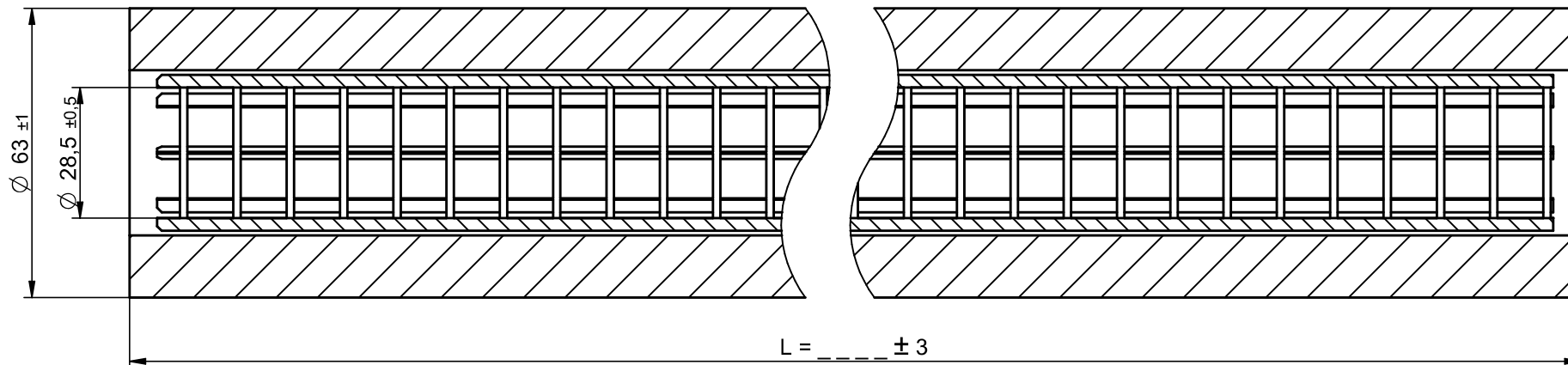


DOE

ATTACCO

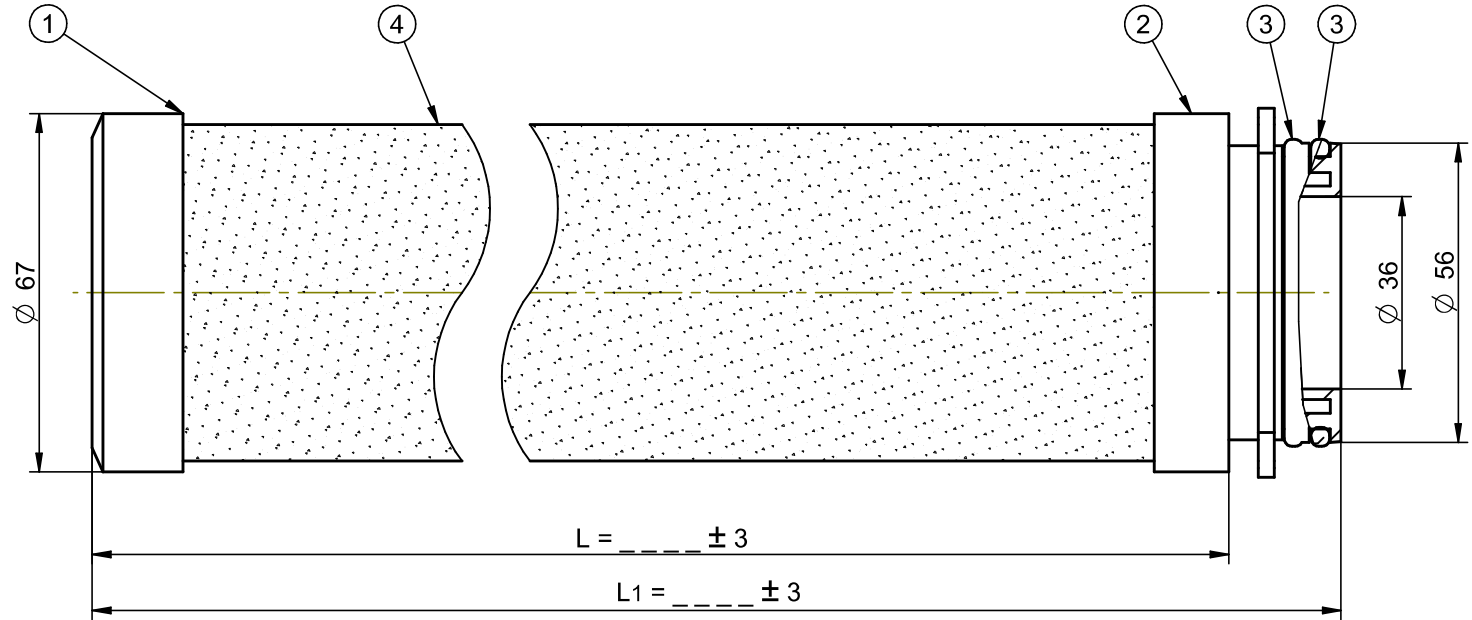
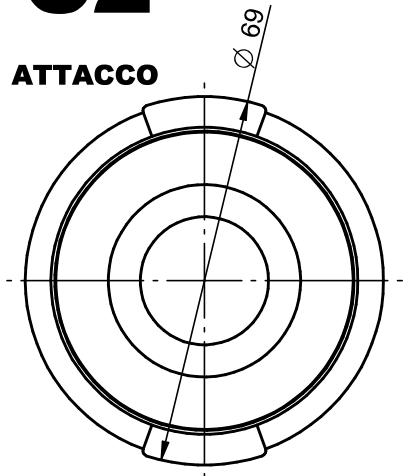


	L = mm.
9"3/4	248
10"	254
20"	508
30"	762
40"	1016

POS.	CODE	DENOMINATION		QUANTITY	MATERIALS
ALL DIMENSIONS MILLIMETERS	ALL SURFACES FINISH ROUGHNESS IN Ra μm	GENERAL TOLLERANCES UNLESS OTHERWISE SPECIFIED UNI-EN 22768-mK UNI-EN 22768-c		NOT QUOTED FILLET R=0.3 CHAMFER 0.3x45°	
SIMILAR TO	CRITICAL INDEX	WORK ORDER	JOB	QUANTITY	DRAWN DATE 29/08/2019 BY
DENOMINATION			CODE	REV.	
N99F - - -			N99F	ST	
			MODIFICATION	DATE	BY
			BARCODE	SCALE 1:1	PROJECTION
REPRODUCTION IS PROHIBITED - ALL RIGHTS RESERVED ACCORDING TO THE LAW					

C2

ATTACCO

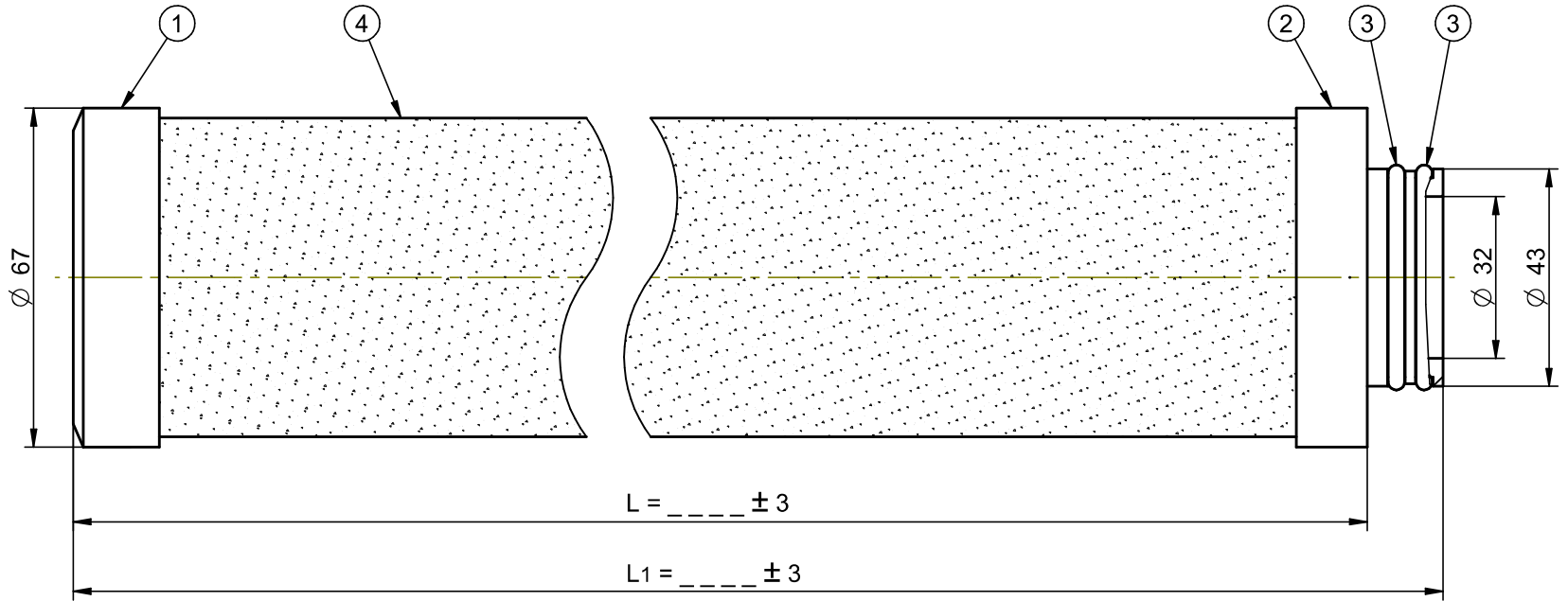
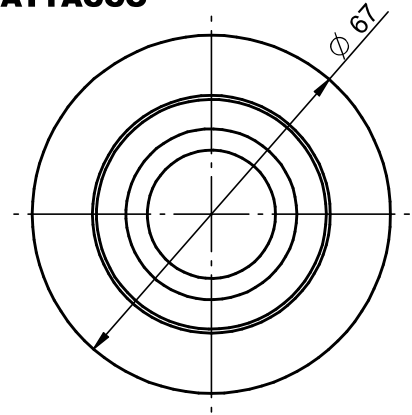


	L =	L1 =
9"3/4	230	251
10"	236	257
20"	490	511
30"	744	765
40"	998	1019

1	040030200PP0000	ATTACCO FLAT	1	PP
2	040030300PP0000	ATTACCO 226	1	PP
3	040029900SI0000	O-RING 226 Ø.50,39x3,53x57,45	2	Silicone
4	N99F_ _ _ _ ST	N99F_ _ _ _	1	
POS.	CODE	DENOMINATION	QUANTITY	MATERIALS
ALL DIMENSIONS MILLIMETERS		ALL SURFACES FINISH ROUGHNESS IN Ra µm	GENERAL TOLLERANCES UNLESS OTHERWISE SPECIFIED UNI-EN 22768-mK UNI-EN 22768-c	
				NOT QUOTED FILLET R=0.3 CHAMFER 0.3x45°
SIMILAR TO	CRITICAL INDEX	WORK ORDER	JOB	QUANTITY
				DRAWN DATE 29/08/2019 BY Tecnico
				APPROVED DATE - BY -
DENOMINATION N99F_ _ _ _			CODE N99F_ _ _ _	REV. C2S
			MODIFICATION	DATE
			DATE	BY
REPRODUCTION IS PROHIBITED - ALL RIGHTS RESERVED ACCORDING TO THE LAW			SCALE 1:1	PROJECTION

C3

ATTACCO

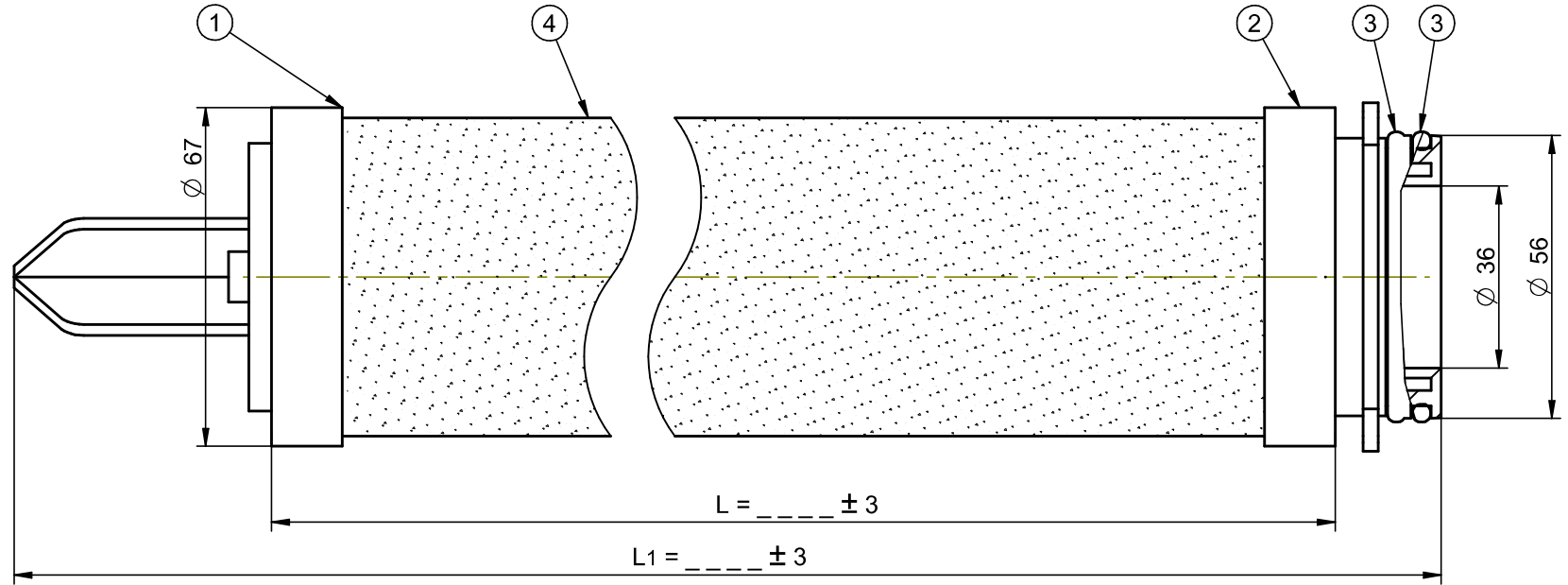
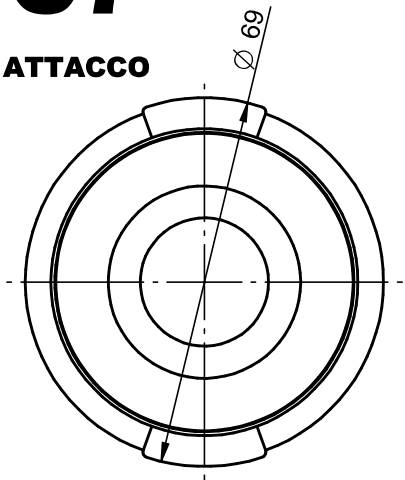


	L =	L1 =
9"3/4	230	246
10"	236	254
20"	490	508
30"	744	762
40"	998	1016

1	040030200PP0000	ATTACCO FLAT	1	PP
2	040030100PP0000	ATTACCO 222	1	PP
3	040030000SI0000	O-RING 222 Ø37,69x3,53x44,75	2	Silicone
4	N99F_ _ _ _ ST	N99F_ _ _ _	1	
POS.	CODE	DENOMINATION	QUANTITY	MATERIALS
ALL DIMENSIONS MILLIMETERS		ALL SURFACES FINISH ROUGHNESS IN Ra µm	GENERAL TOLLERANCES UNLESS OTHERWISE SPECIFIED UNI-EN 22768-mK UNI-EN 22768-c	
				NOT QUOTED FILLET R=0.3 CHAMFER 0.3x45°
SIMILAR TO	CRITICAL INDEX	WORK ORDER	JOB	QUANTITY
DRAWN DATE 29/08/2019 BY Tecnico			APPROVED DATE - BY -	
DENOMINATION N99F -			CODE N99F_ _ _ _ C3S	
REPRODUCTION IS PROHIBITED - ALL RIGHTS RESERVED ACCORDING TO THE LAW			REVISIONS	
Reafil Filtrazione industriale			MODIFICATION	DATE
BARCODE			SCALE 1:1	PROJECTION

C7

ATTACCO

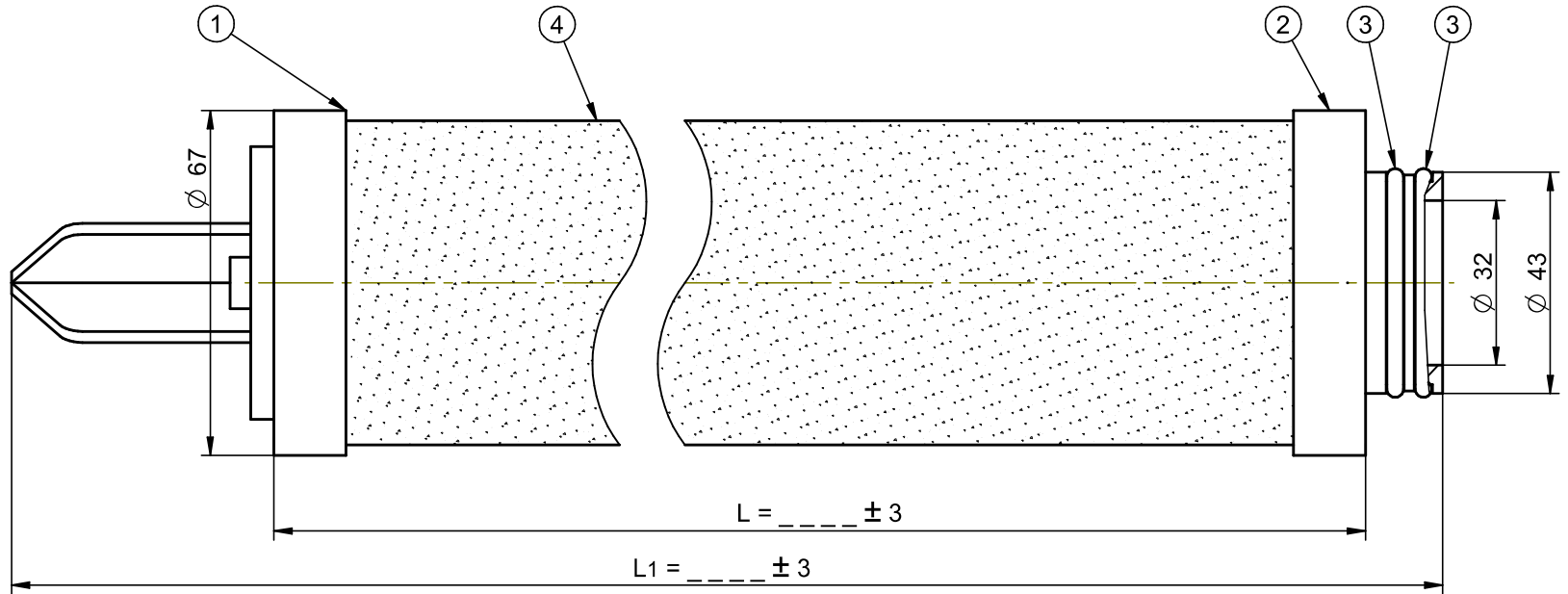
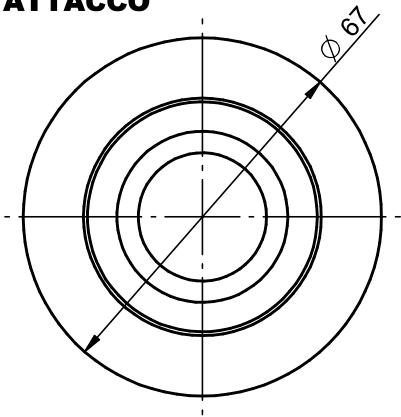


	L =	L1 =
9"3/4	228	300
10"	234	306
20"	488	560
30"	742	814
40"	996	1068

1	040030400PP0000	ATTACCO SPEAR	1	PP
2	040030300PP0000	ATTACCO 226	1	PP
3	040029900SI0000	O-RING 226 0,50,39x3,53x57,45	2	Silicone
4	N99F_ _ _ _ ST	N99F_ _ _ _	1	
POS.	CODE	DENOMINATION	QUANTITY	MATERIALS
ALL DIMENSIONS MILLIMETERS		ALL SURFACES FINISH ROUGHNESS IN Ra μm	GENERAL TOLLERANCES UNLESS OTHERWISE SPECIFIED UNI-EN 22768-mK UNI-EN 22768-c	
				NOT QUOTED FILLET R=0.3 CHAMFER 0.3x45°
SIMILAR TO	CRITICAL INDEX	WORK ORDER	JOB	QUANTITY
DRAWN DATE 29/08/2019 BY Tecnico			APPROVED DATE - BY -	
DENOMINATION N99F_ _ _ _			CODE N99F_ _ _ _ C7S	
REPRODUCTION IS PROHIBITED - ALL RIGHTS RESERVED ACCORDING TO THE LAW			MODIFICATION	DATE
Reafil Filtrazione industriale			DATE	BY
BARCODE			SCALE 1:1	PROJECTION

C8

ATTACCO



	L =	L1 =
9"3/4	228	294
10"	234	300
20"	488	554
30"	742	808
40"	996	1062

1	040030400PP0000	ATTACCO SPEAR	1	PP
2	040030100PP0000	ATTACCO 222	1	PP
3	040030000SI0000	O-RING 222 Ø37,69x3,53x44,75	2	Silicone
4	N99F_ _ _ _ ST	N99F_ _ _ _	1	
POS.	CODE	DENOMINATION	QUANTITY	MATERIALS
ALL DIMENSIONS MILLIMETERS		ALL SURFACES FINISH ROUGHNESS IN Ra µm	GENERAL TOLLERANCES UNLESS OTHERWISE SPECIFIED UNI-EN 22768-mK UNI-EN 22768-c	
				NOT QUOTED FILLET R=0.3 CHAMFER 0.3x45°
SIMILAR TO	CRITICAL INDEX	WORK ORDER	JOB	QUANTITY
DRAWN DATE 29/08/2019 BY Tecnico			APPROVED DATE - BY -	
DENOMINATION N99F_ _ _ _			CODE N99F_ _ _ _	REV. C8S
			MODIFICATION	DATE
			DATE	BY
REPRODUCTION IS PROHIBITED - ALL RIGHTS RESERVED ACCORDING TO THE LAW			SCALE 1:1	PROJECTION