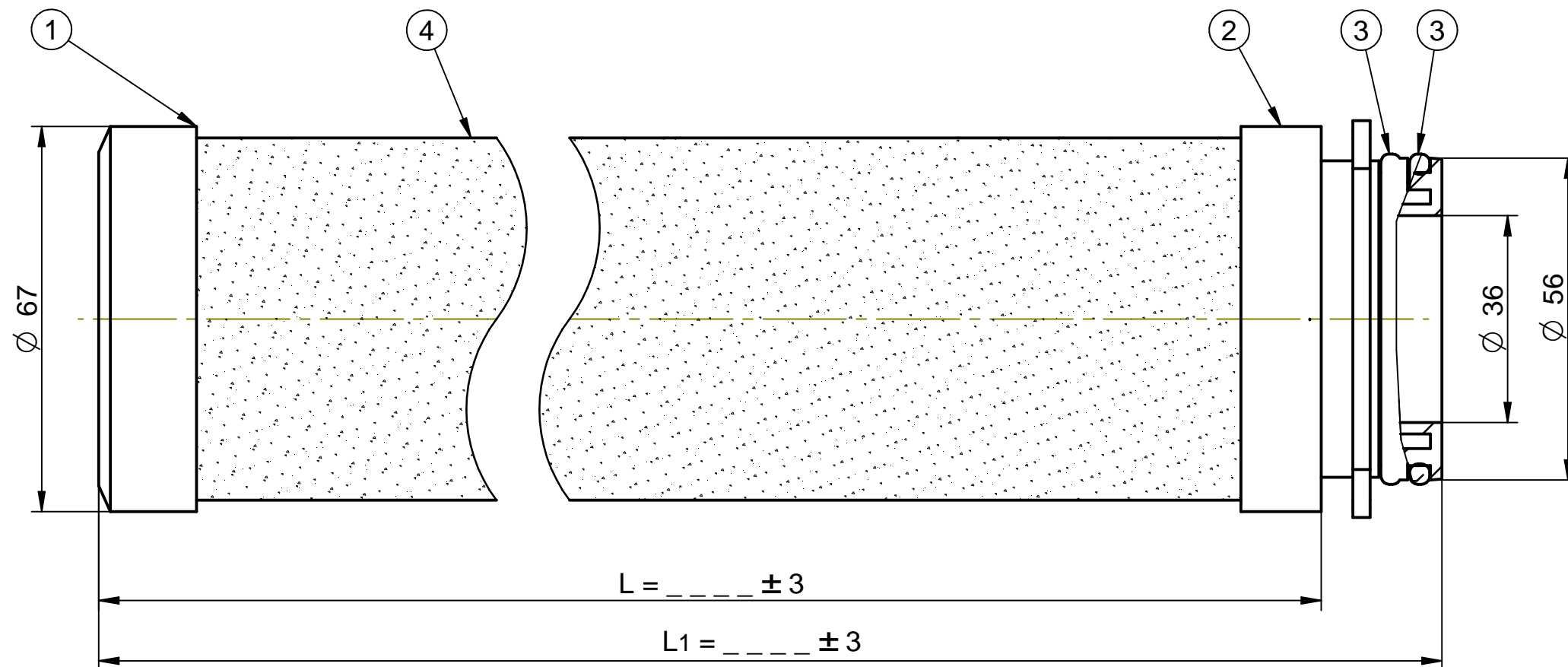
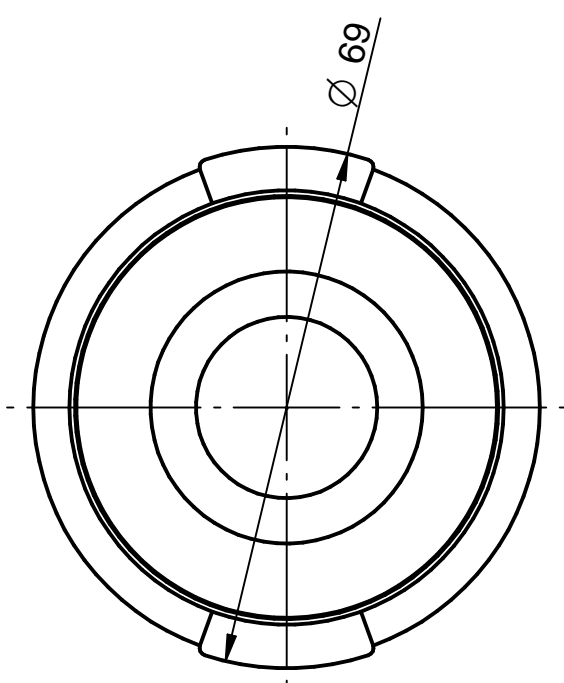


	L = mm.
9"3/4	248
10"	254
20"	508
30"	762
40"	1016

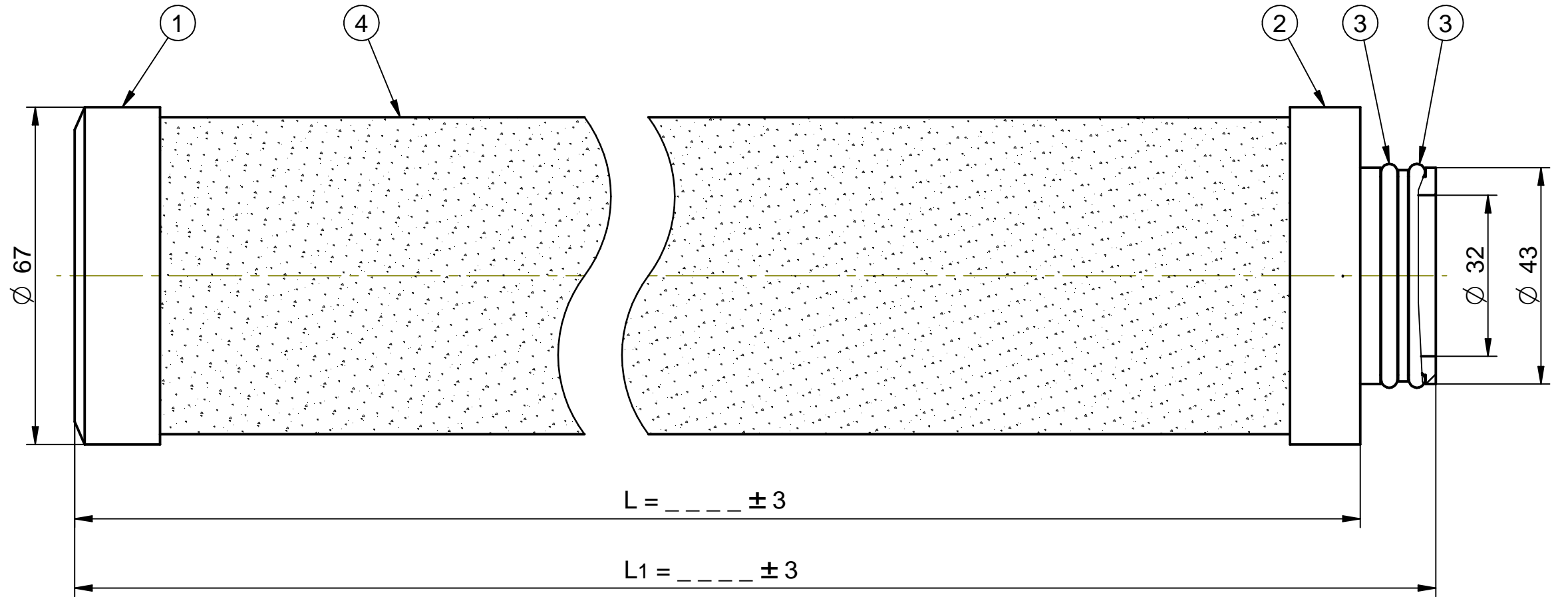
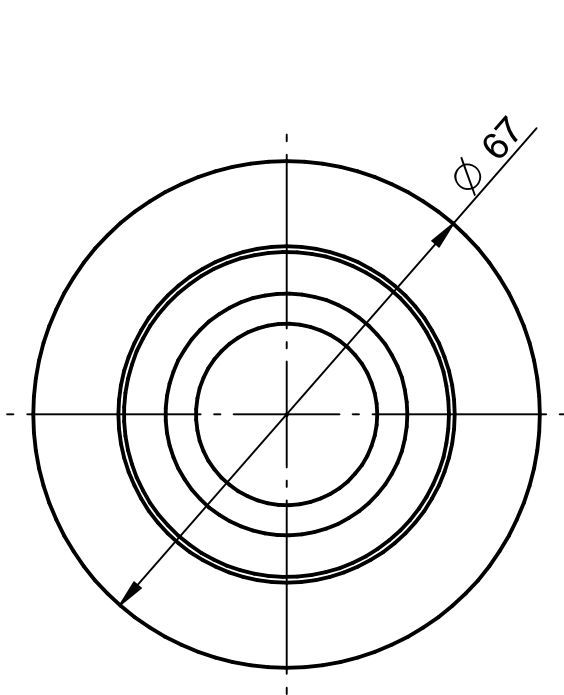
POS.	CODE	DENOMINATION			QUANTITY	MATERIALS	
ALL DIMENSIONS MILLIMETERS	ALL SURFACES FINISH ROUGHNESS IN Ra μm	GENERAL TOLLERANCES UNLESS OTHERWISE SPECIFIED UNI-EN 22768-mK UNI-EN 22768-c			NOT QUOTED FILLET R=0.3 CHAMFER 0.3x45°		
SIMILAR TO	CRITICAL INDEX	WORK ORDER	JOB	QUANTITY	DRAWN DATE 07/10/2015 BY Tecnico	APPROVED DATE - BY -	
DENOMINATION N95F _ _ - _ _					CODE N95F _ _ - _ _	REV. ST	
				MODIFICATION		DATE	BY
				BARCODE		SCALE 1:1	PROJECTION
REPRODUCTION IS PROHIBITED - ALL RIGHTS RESERVED ACCORDING TO THE LAW							



ATTACCO DOE - STANDARD

	L =	L1 =
9"3/4	230	251
10"	236	257
20"	490	511
30"	744	765
40"	998	1019

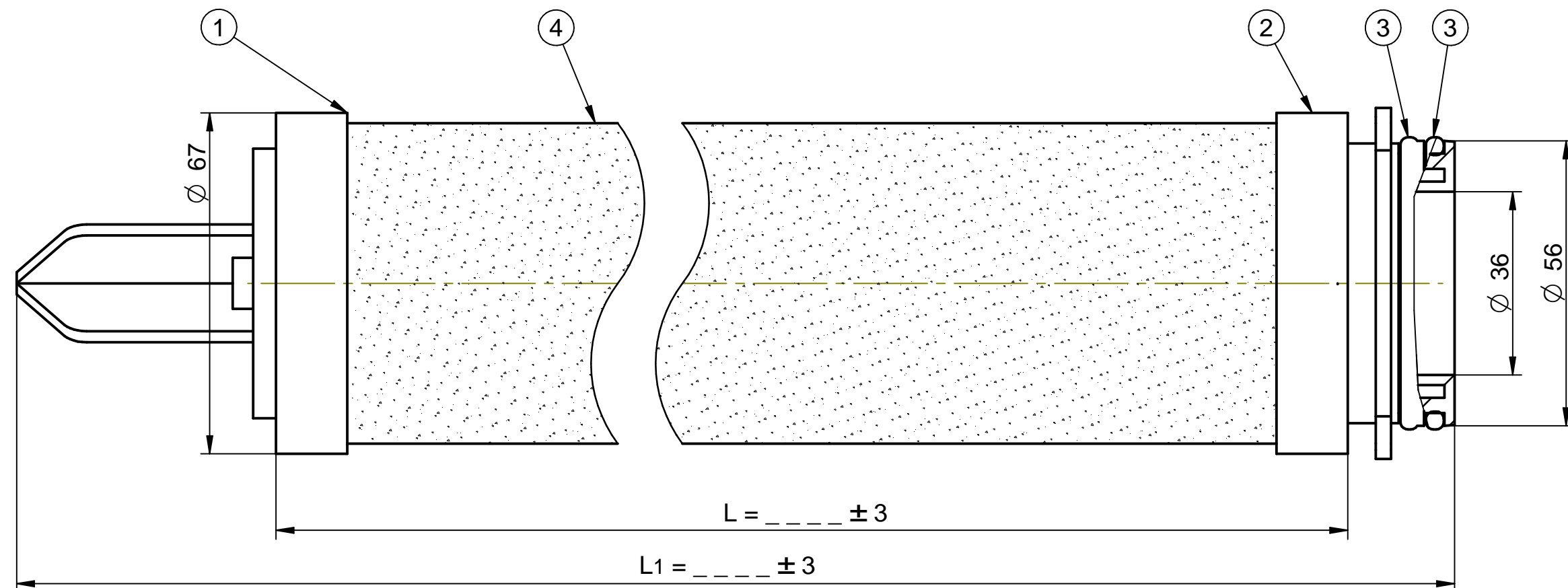
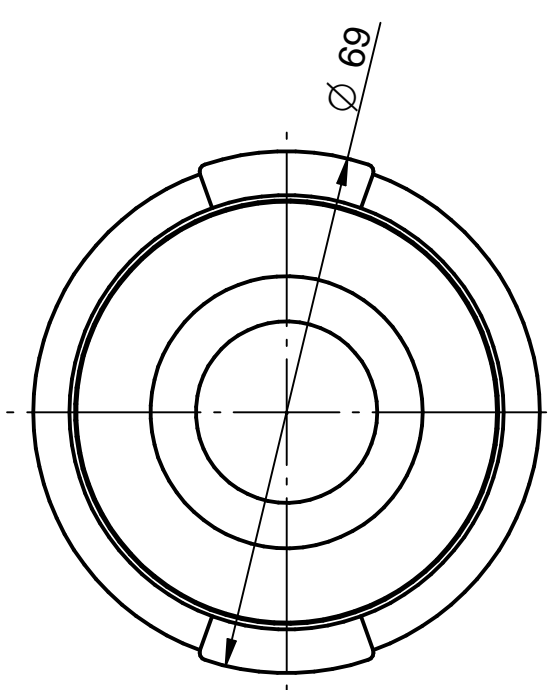
1	040030200PP0000	ATTACCO FLAT	1	PP
2	040030300PP0000	ATTACCO 226	1	PP
3	040029900SI0000	O-RING 226 D.50,39x3,53x57,45	2	Silicone
4	N95F_ _ _ _ ST	N95F_ _ _ _	1	
POS.	CODE	DENOMINATION	QUANTITY	MATERIALS
ALL DIMENSIONS MILLIMETERS		ALL SURFACES FINISH ROUGHNESS IN Ra µm	GENERAL TOLLERANCES UNLESS OTHERWISE SPECIFIED UNI-EN 22768-mK UNI-EN 22768-c	
SIMILAR TO		CRITICAL INDEX	WORK ORDER	JOB
DRAWN DATE 01/02/2019		APPROVED DATE -		BY -
BY Tecnico		BY -		
DENOMINATION N95F_ _ _ _			CODE N95F_ _ _ _	REV. C2S
MODIFICATION			DATE	BY
Reafil Filtrazione industriale			SCALE 1:1	PROJECTION
BARCODE			REPRODUCTION IS PROHIBITED - ALL RIGHTS RESERVED ACCORDING TO THE LAW	



ATTACCO C3S

	L =	L1 =
9"3/4	230	246
10"	236	254
20"	490	508
30"	744	762
40"	998	1016

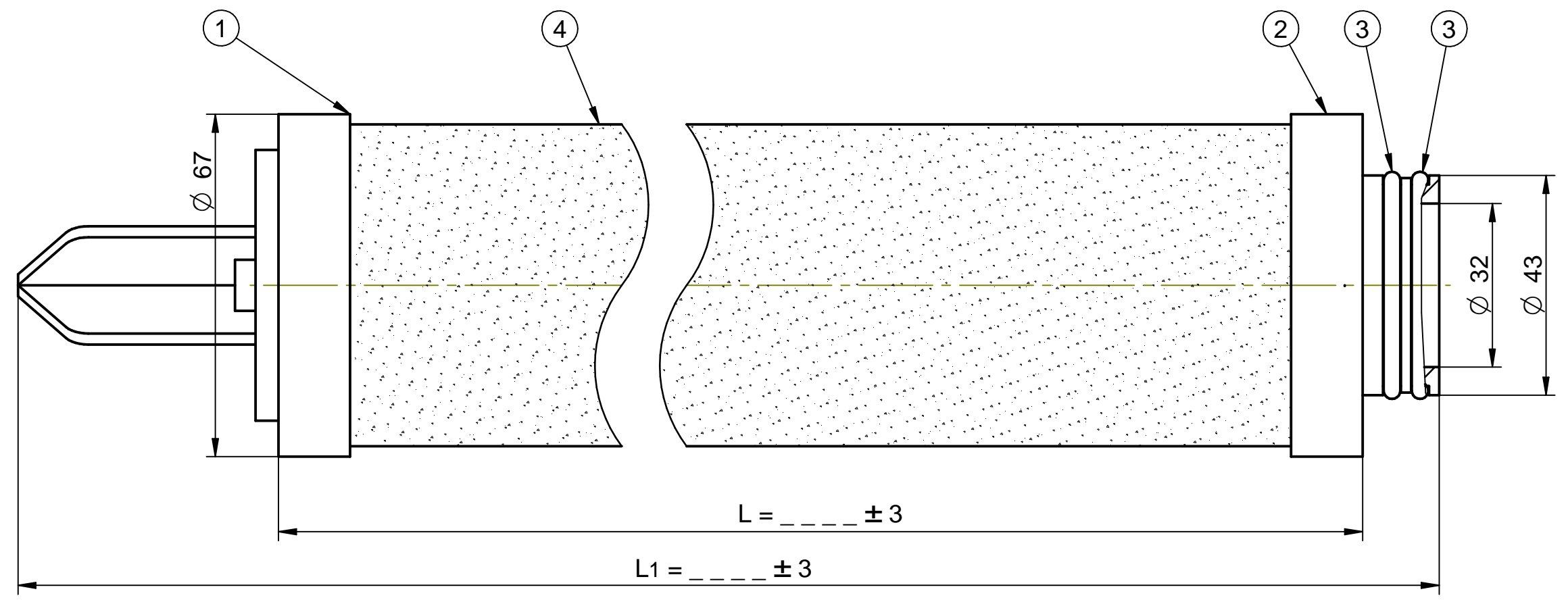
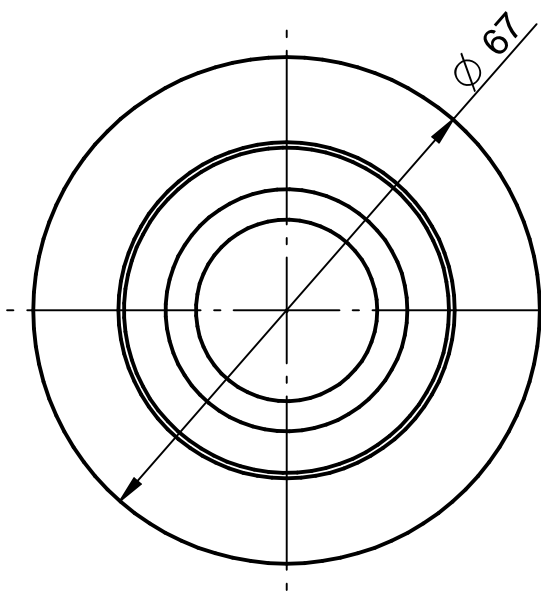
1	040030200PP0000	ATTACCO FLAT	1	PP
2	040030100PP0000	ATTACCO 222	1	PP
3	040030000SI0000	O-RING 222 D.37,69x3,53x44,75	2	Silicone
4	N95F_ _ _ _ ST	N95F_ _ _ _	1	
POS.	CODE	DENOMINATION	QUANTITY	MATERIALS
ALL DIMENSIONS MILLIMETERS		ALL SURFACES FINISH ROUGHNESS IN Ra μm	GENERAL TOLLERANCES UNLESS OTHERWISE SPECIFIED UNI-EN 22768-mK UNI-EN 22768-c	
SIMILAR TO		CRITICAL INDEX	WORK ORDER	JOB
DRAWN DATE 31/01/2019 BY Tecnico		APPROVED DATE - BY -		
DENOMINATION N95F_ _ _ _			CODE N95F_ _ _ _	REV. C3S
			MODIFICATION	DATE BY
REPRODUCTION IS PROHIBITED - ALL RIGHTS RESERVED ACCORDING TO THE LAW			SCALE 1:1	PROJECTION



ATTACCO C7S

	L =	L1 =
9"3/4	228	300
10"	234	306
20"	488	560
30"	742	814
40"	996	1068

1	040030400PP0000	ATTACCO SPEAR	1	PP
2	040030300PP0000	ATTACCO 226	1	PP
3	040029900SI0000	O-RING 226 D.50,39x3,53x57,45	2	Silicone
4	N95F_ _ _ _ ST	N95F_ _ _ _	1	
POS.	CODE	DENOMINATION	QUANTITY	MATERIALS
ALL DIMENSIONS MILLIMETERS		ALL SURFACES FINISH ROUGHNESS IN Ra μ m	GENERAL TOLLERANCES UNLESS OTHERWISE SPECIFIED UNI-EN 22768-mK UNI-EN 22768-c	
SIMILAR TO		CRITICAL INDEX	WORK ORDER	JOB
DRAWN DATE 01/02/2019		APPROVED DATE -		BY -
BY Tecnico		BY -		
DENOMINATION N95F_ _ _ - _ _			CODE N95F_ _ _ _	REV. C7S
MODIFICATION			DATE	BY
			SCALE 1:1	PROJECTION
REPRODUCTION IS PROHIBITED - ALL RIGHTS RESERVED ACCORDING TO THE LAW			BARCODE	



ATTACCO C8S

	L =	L1 =
9"3/4	228	294
10"	234	300
20"	488	554
30"	742	808
40"	996	1062

1	040030400PP0000	ATTACCO SPEAR	1	PP
2	040030100PP0000	ATTACCO 222	1	PP
3	040030000SI0000	O-RING 222 D.37,69x3,53x44,75	2	Silicone
4	N95F_ _ _ _ ST	N95F_ _ _ _	1	
POS.	CODE	DENOMINATION	QUANTITY	MATERIALS
ALL DIMENSIONS MILLIMETERS		ALL SURFACES FINISH ROUGHNESS IN Ra µm	GENERAL TOLLERANCES UNLESS OTHERWISE SPECIFIED UNI-EN 22768-mK UNI-EN 22768-c	
SIMILAR TO		CRITICAL INDEX	WORK ORDER	JOB
DRAWN DATE 01/02/2019		APPROVED DATE -		BY -
BY Tecnico		BY -		
DENOMINATION N95F_ _ _ - _ _			CODE N95F_ _ _ _	REV. C8S
MODIFICATION			DATE	BY
			SCALE 1:1	PROJECTION
BARCODE				
REPRODUCTION IS PROHIBITED - ALL RIGHTS RESERVED ACCORDING TO THE LAW				