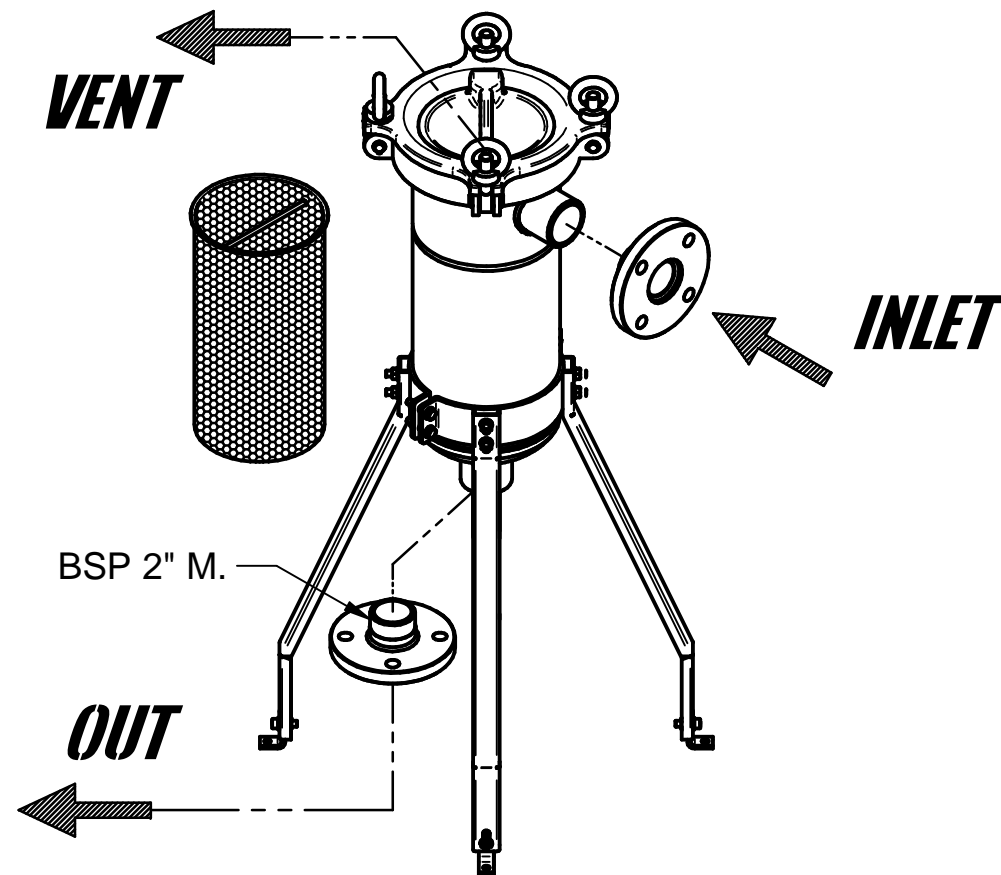
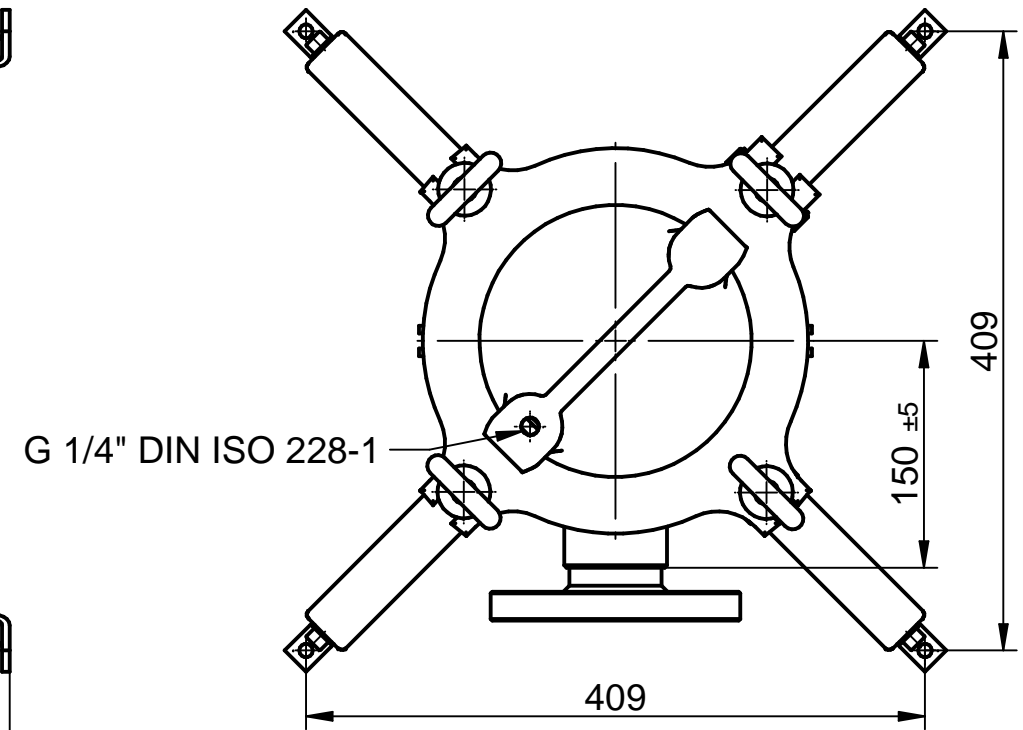
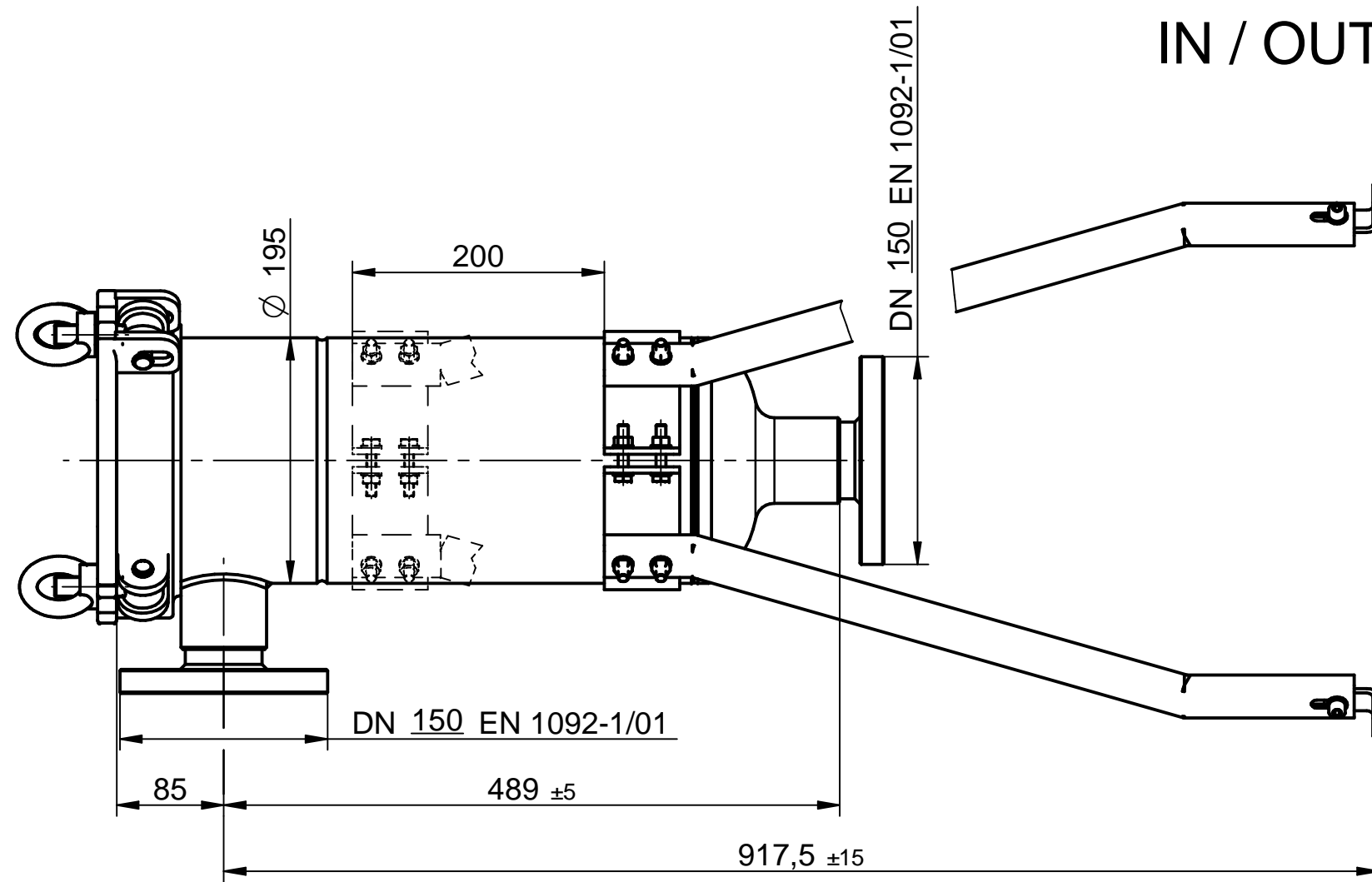
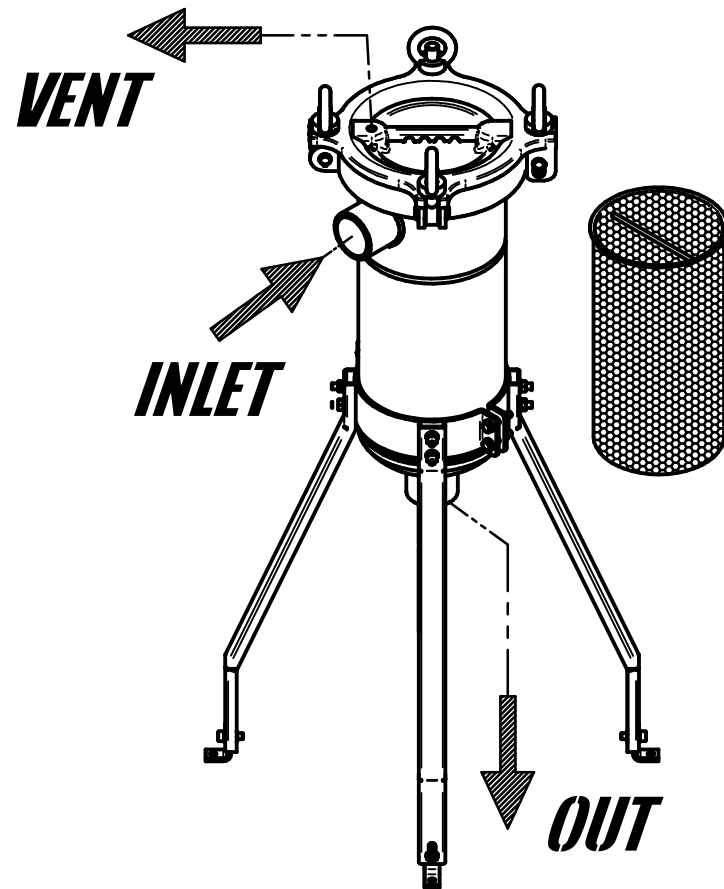
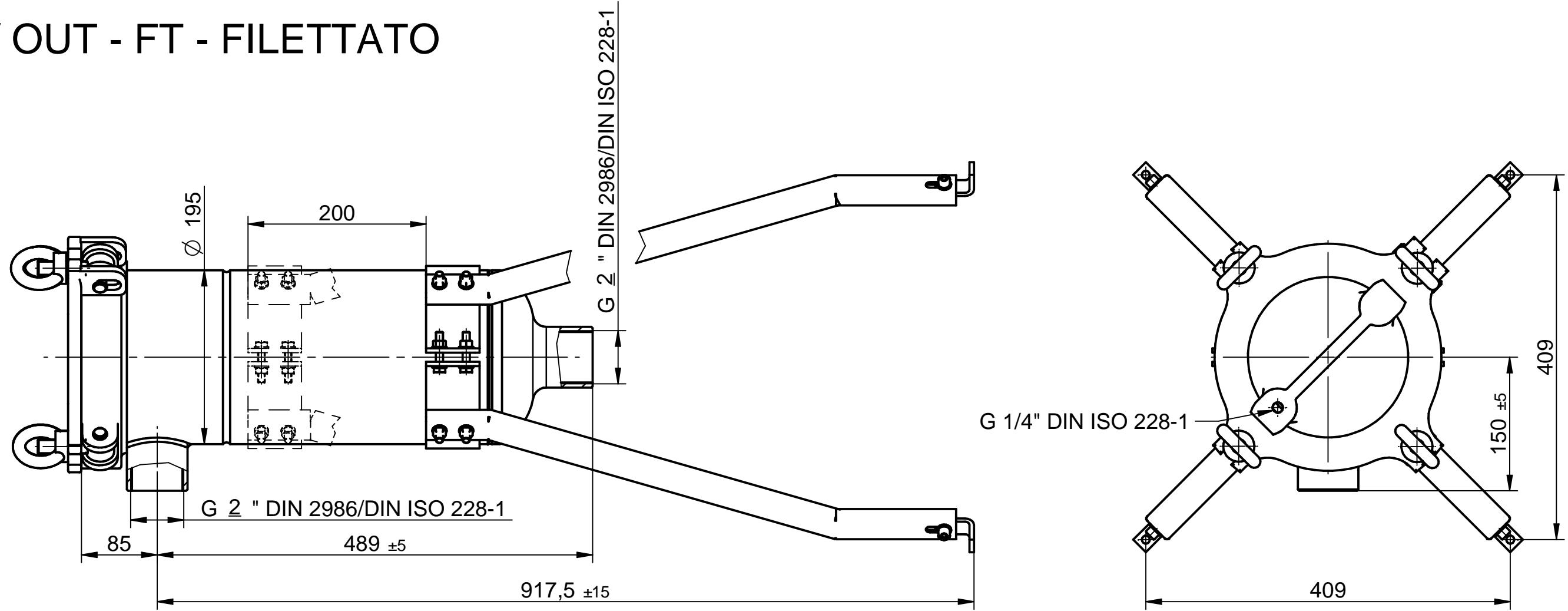


IN / OUT - FF - FLANGIATO A FILETTARE



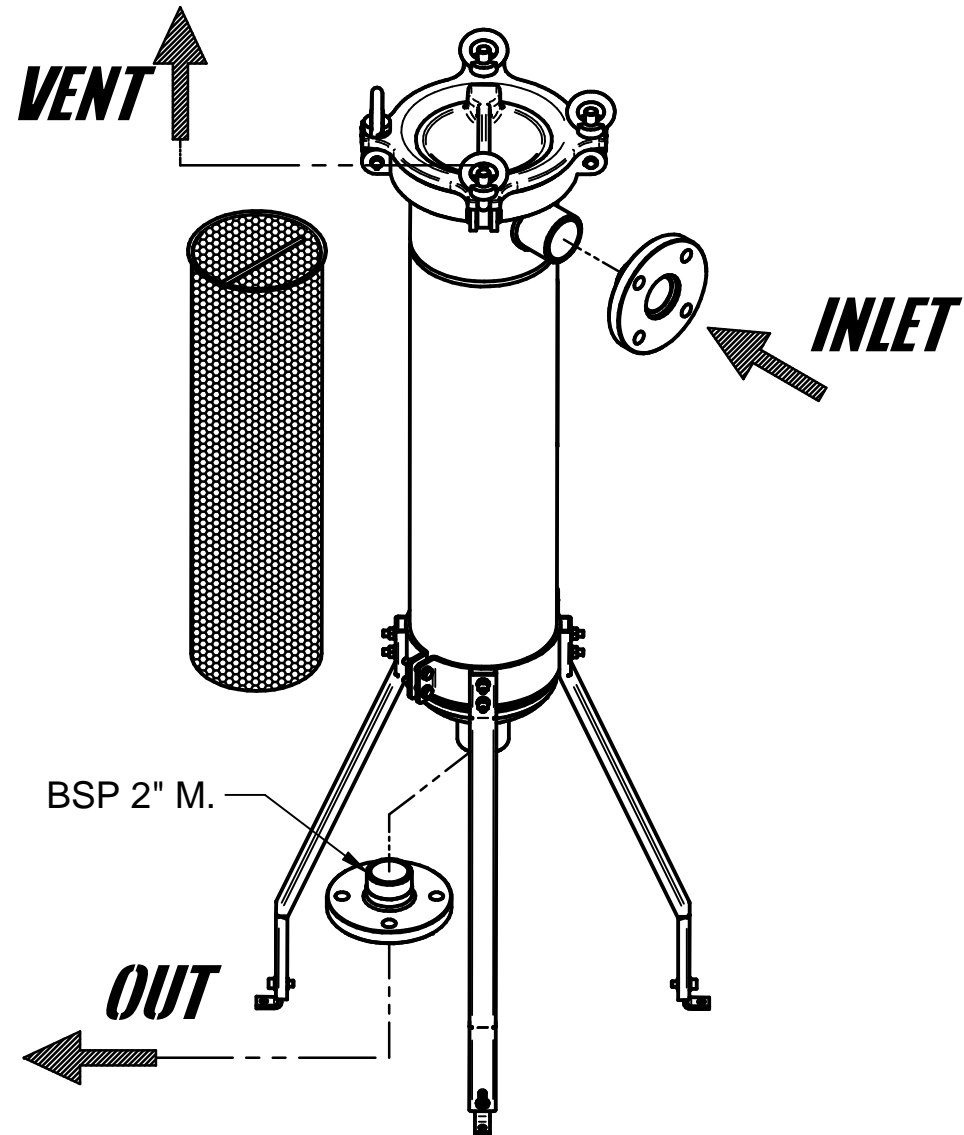
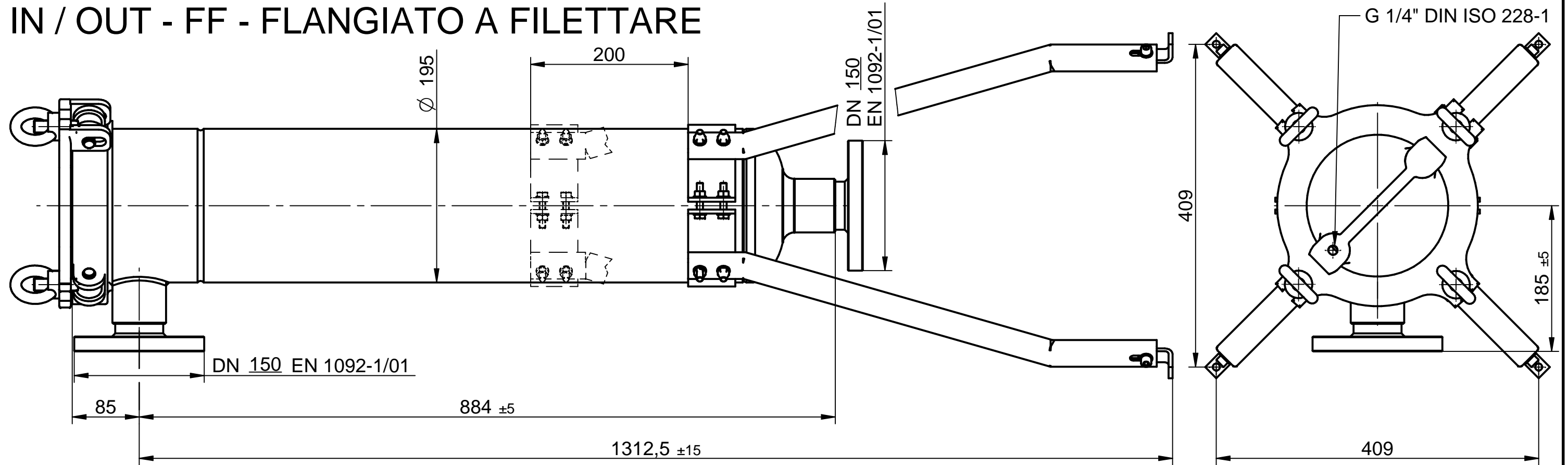
POS.	CODE	DENOMINATION			QUANTITY	MATERIALS
ALL DIMENSIONS MILLIMETERS	ALL SURFACES FINISH ROUGHNESS IN Ra μm	GENERAL TOLLERANCES UNLESS OTHERWISE SPECIFIED UNI-EN 22768-mK UNI-EN 22768-c			NOT QUOTED FILLET R=0.3 CHAMFER 0.3x45°	
SIMILAR TO	CRITICAL INDEX	WORK ORDER	JOB	QUANTITY	DRAWN DATE - BY	APPROVED DATE - BY
DENOMINATION INGOMBRI FILTRO FBSF 17"					CODE FBSF31617200FF_____I	REV.
					MODIFICATION	DATE
					DATE	BY
REPRODUCTION IS PROHIBITED - ALL RIGHTS RESERVED ACCORDING TO THE LAW					SCALE 1:5	PROJECTION


IN / OUT - FT - FILETTATO



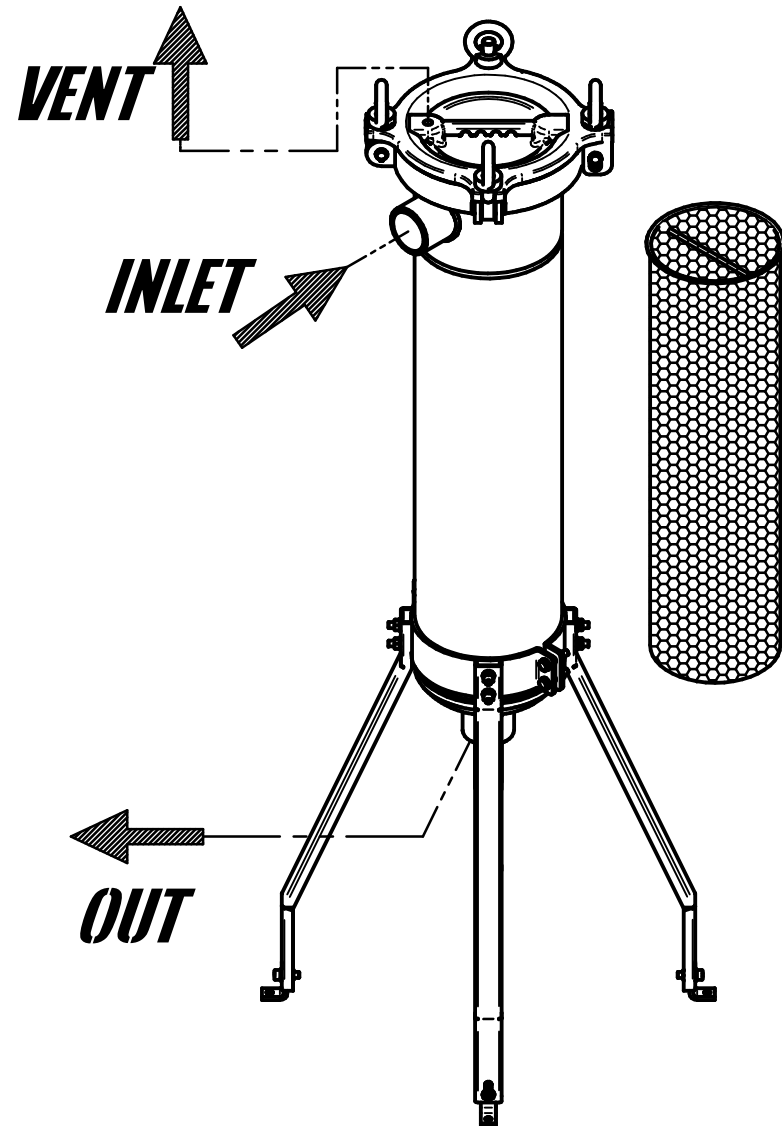
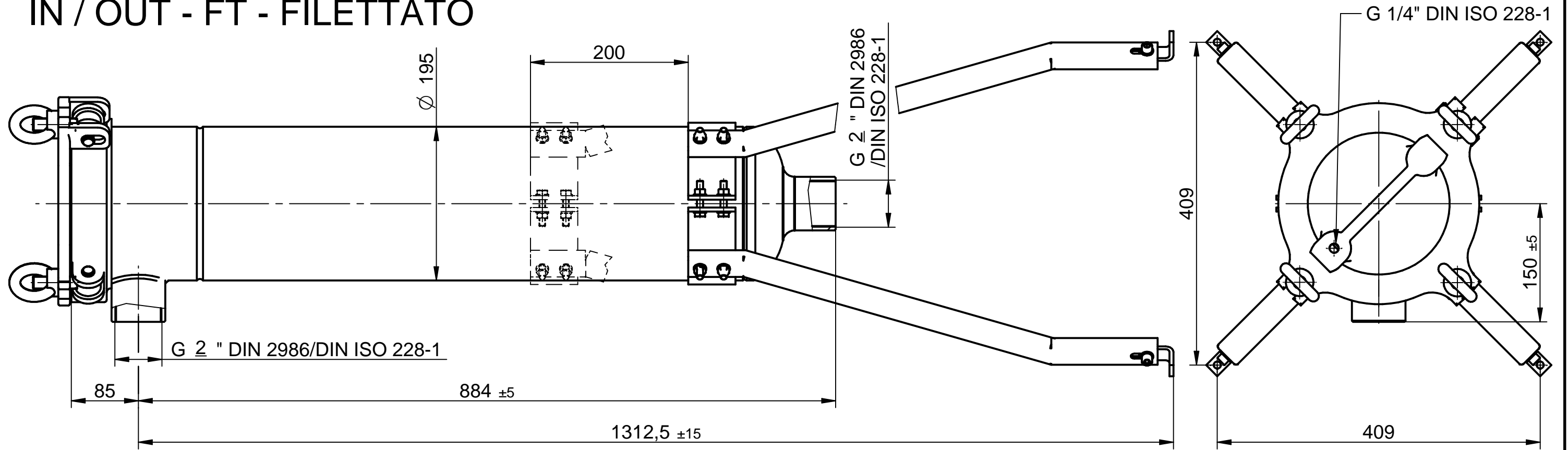
POS.	CODE	DENOMINATION			QUANTITY	MATERIALS
ALL DIMENSIONS MILLIMETERS	ALL SURFACES FINISH ROUGHNESS IN Ra μm	GENERAL TOLLERANCES UNLESS OTHERWISE SPECIFIED UNI-EN 22768-mK UNI-EN 22768-c			NOT QUOTED FILLET R=0.3 CHAMFER 0.3x45°	
SIMILAR TO	CRITICAL INDEX	WORK ORDER	JOB	QUANTITY	DRAWN DATE BY	APPROVED DATE - BY -
DENOMINATION INGOMBRI FILTRO FBSF 17"					CODE FBSF31617200FT_..._I	REV.
					MODIFICATION	DATE
					DATE	BY
REPRODUCTION IS PROHIBITED - ALL RIGHTS RESERVED ACCORDING TO THE LAW					SCALE 1:5	PROJECTION

IN / OUT - FF - FLANGIATO A FILETTARE



POS.	CODE	DENOMINATION			QUANTITY	MATERIALS		
ALL DIMENSIONS MILLIMETERS	ALL SURFACES FINISH ROUGHNESS IN Ra μm	GENERAL TOLLERANCES UNLESS OTHERWISE SPECIFIED UNI-EN 22768-mK UNI-EN 22768-c			NOT QUOTED FILLET R=0.3 CHAMFER 0.3x45°			
SIMILAR TO	CRITICAL INDEX	WORK ORDER	JOB	QUANTITY	DRAWN DATE BY	APPROVED DATE - BY -		
DENOMINATION					CODE		REV.	
INGOMBRI FILTRO FBSF 32"					FBSF31632200FF_____I			
 Filtrazione industriale					MODIFICATION		DATE	BY
					BARCODE		SCALE	PROJECTION
REPRODUCTION IS PROHIBITED - ALL RIGHTS RESERVED ACCORDING TO THE LAW								

IN / OUT - FT - FILETTATO



POS.	CODE	DENOMINATION			QUANTITY	MATERIALS	
ALL DIMENSIONS MILLIMETERS	ALL SURFACES FINISH ROUGHNESS IN Ra μm	GENERAL TOLLERANCES UNLESS OTHERWISE SPECIFIED UNI-EN 22768-mK UNI-EN 22768-c			NOT QUOTED FILLET R=0.3 CHAMFER 0.3x45°		
SIMILAR TO	CRITICAL INDEX	WORK ORDER	JOB	QUANTITY	DRAWN DATE BY	APPROVED DATE - BY -	
DENOMINATION					CODE		REV.
INGOMBRI FILTRO FBSF 32"					FBSF31632200FT_		I
					MODIFICATION		DATE
					DATE		BY
REPRODUCTION IS PROHIBITED - ALL RIGHTS RESERVED ACCORDING TO THE LAW					SCALE		PROJECTION
					1:5		