
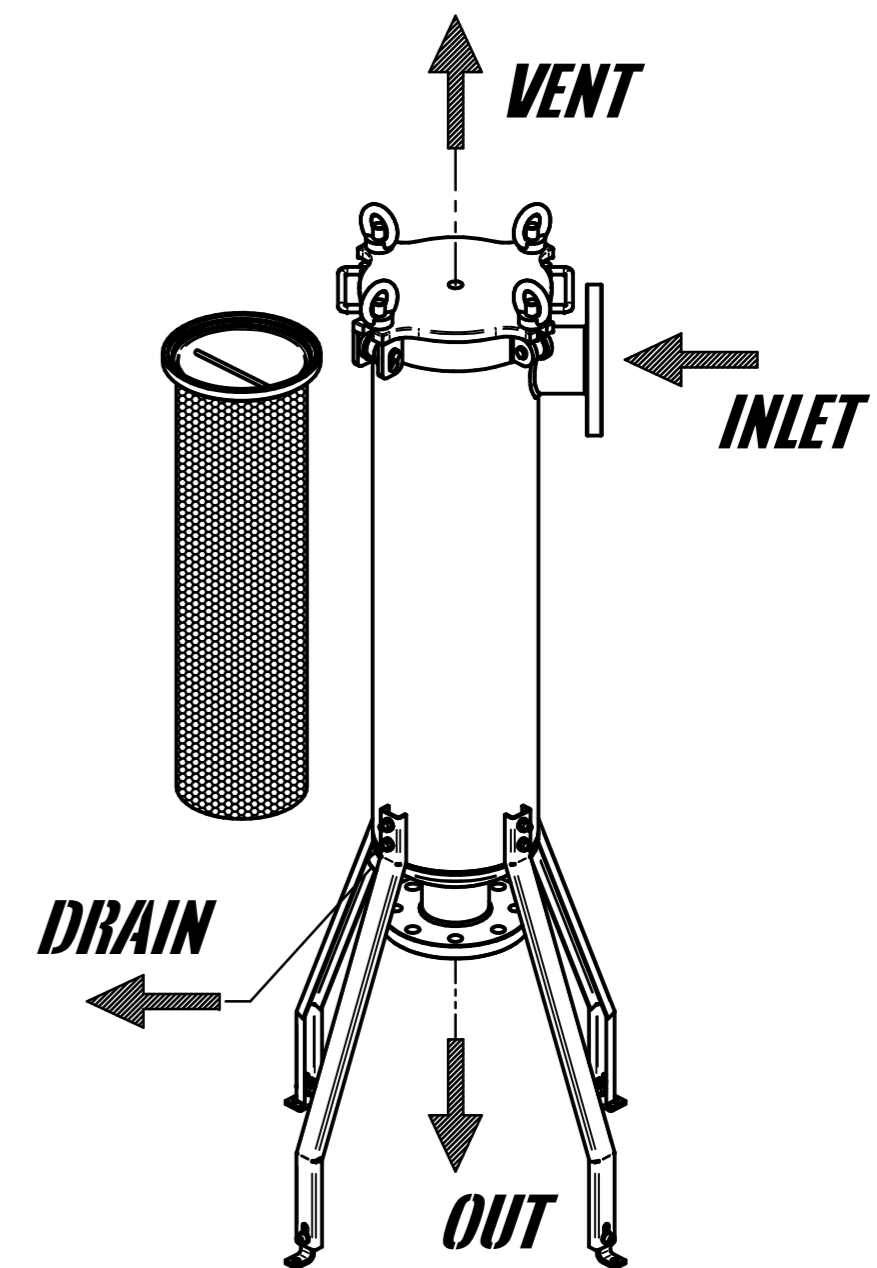
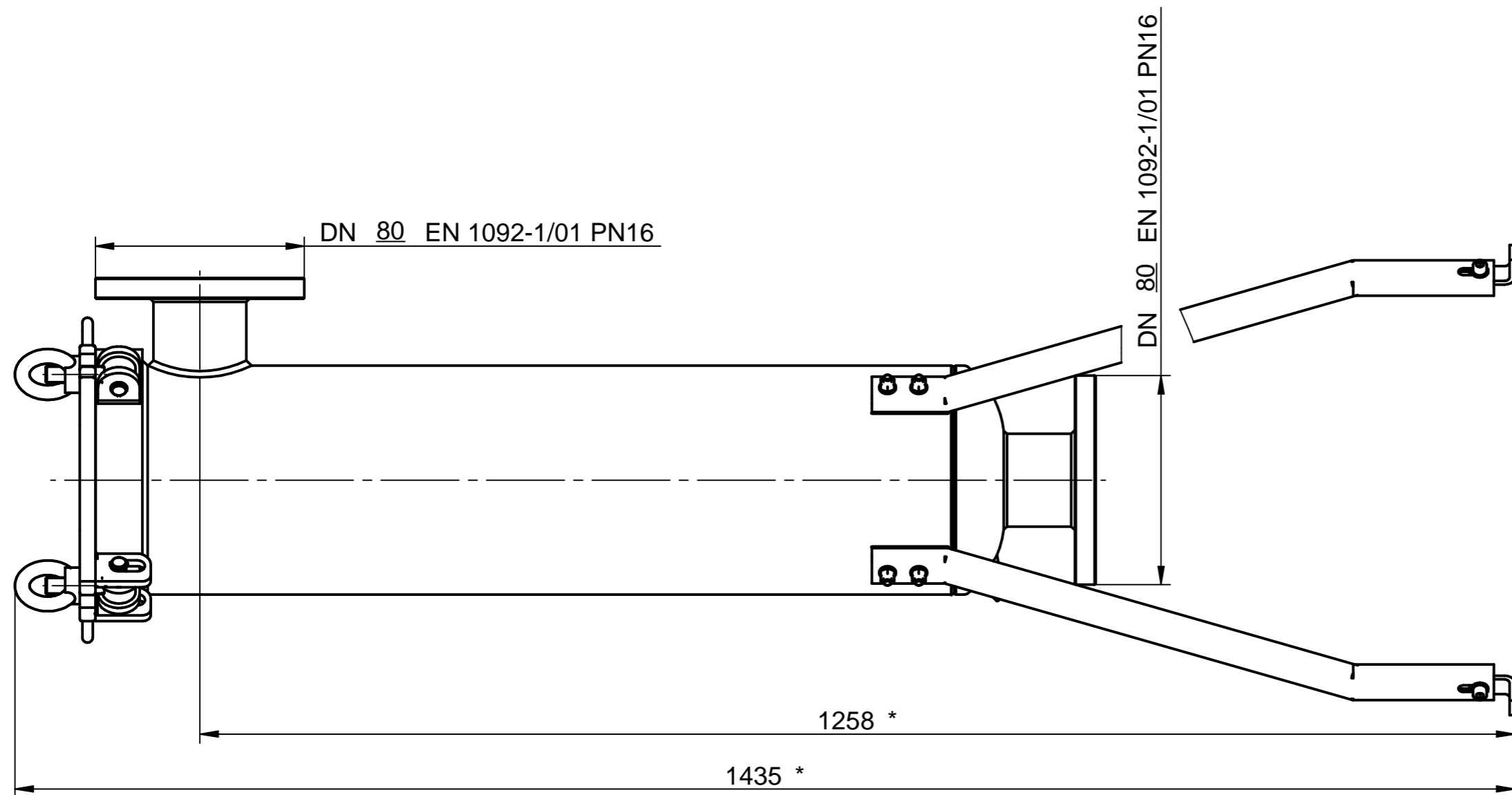
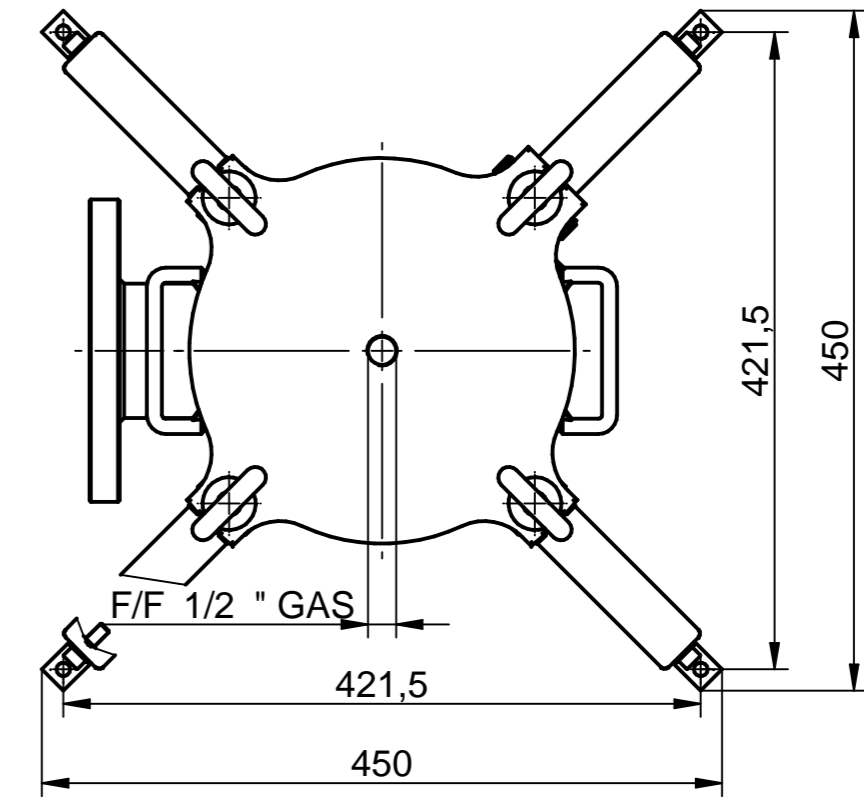
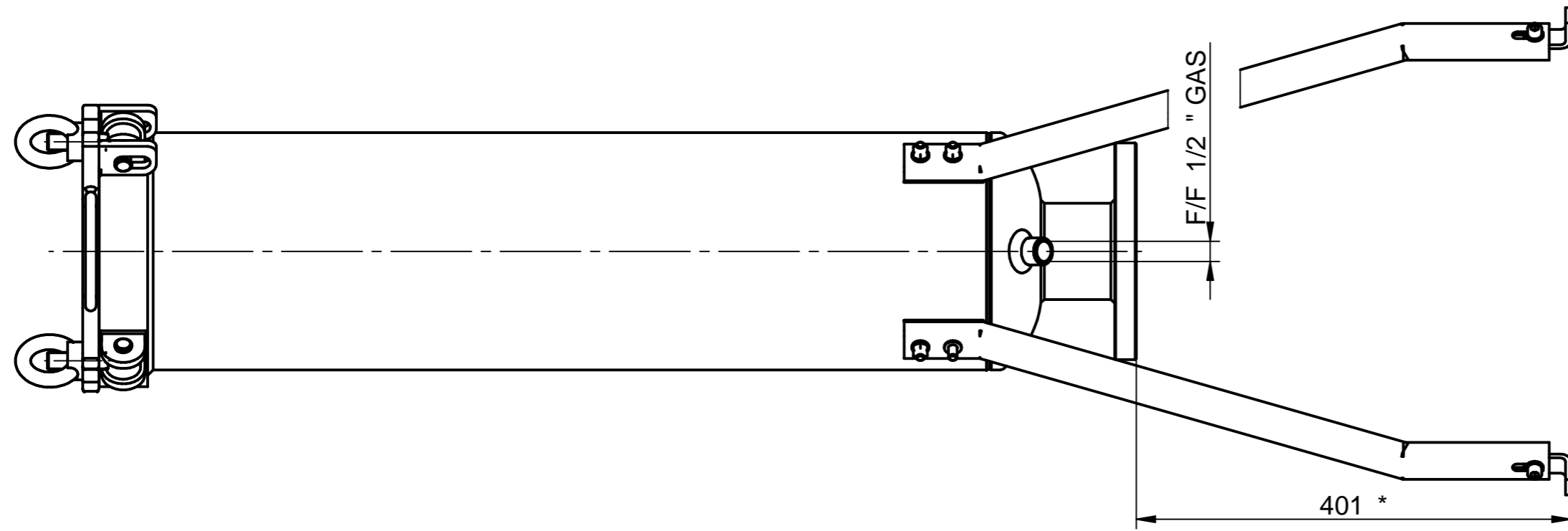


* : LA QUOTA PUO' VARIARE DA 0-17 mm GRAZIE AI PIEDI REGOLABILI


* : THE RATE CAN VARY FROM 0-17 mm THANKS TO ADJUSTABLE FEET

POS.	CODE	DENOMINATION			QUANTIT	MATERIALS
ALL DIMENSIONS MILLIMETERS	ALL SURFACES FINISH ROUGHNESS IN Ra μm	GENERAL TOLLERANCES UNLESS OTHERWISE SPECIFIED UNI-EN 22768-mk UNI-EN 22768-c			NOT QUOTED	FILLET R=0.3 CHAMFER 0.3x45°
SIMILAR TO	CRITICAL INDEX	WORK ORDER	JOB	QUANTITY	DRAWN DATE BY	APPROVED DATE BY
DENOMINATION					CODE	REV.
INGOMBRI FILTRO FBSE 17"					FBSE31617300FF_	
				MODIFICATION	DATE	BY
REPRODUCTION IS PROHIBITED - ALL RIGHTS RESERVED ACCORDING TO THE LAW				BARCODE	SCALE	PROJECTION
					1:6.67	⊕



* : LA QUOTA PUO' VARIARE DA 0-17 mm GRAZIE AI PIEDI REGOLABILI

* : THE RATE CAN VARY FROM 0-17 mm THANKS TO ADJUSTABLE FEET

POS.	CODE	DENOMINATION			QUANTIT	MATERIALS
ALL DIMENSIONS MILLIMETERS	ALL SURFACES FINISH ROUGHNESS IN Ra μm	GENERAL TOLLERANCES UNLESS OTHERWISE SPECIFIED UNI-EN 22768-mk UNI-EN 22768-c			NOT QUOTED	FILLET R=0.3 CHAMFER 0.3x45°
SIMILAR TO	CRITICAL INDEX	WORK ORDER	JOB	QUANTITY	DRAWN DATE BY	APPROVED DATE BY
DENOMINATION					CODE	REV.
INGOMBRI FILTRO FBSE 32"					FBSE31632300FF_	
					MODIFICATION	DATE BY
REPRODUCTION IS PROHIBITED - ALL RIGHTS RESERVED ACCORDING TO THE LAW					SCALE	PROJECTION
					1:5	