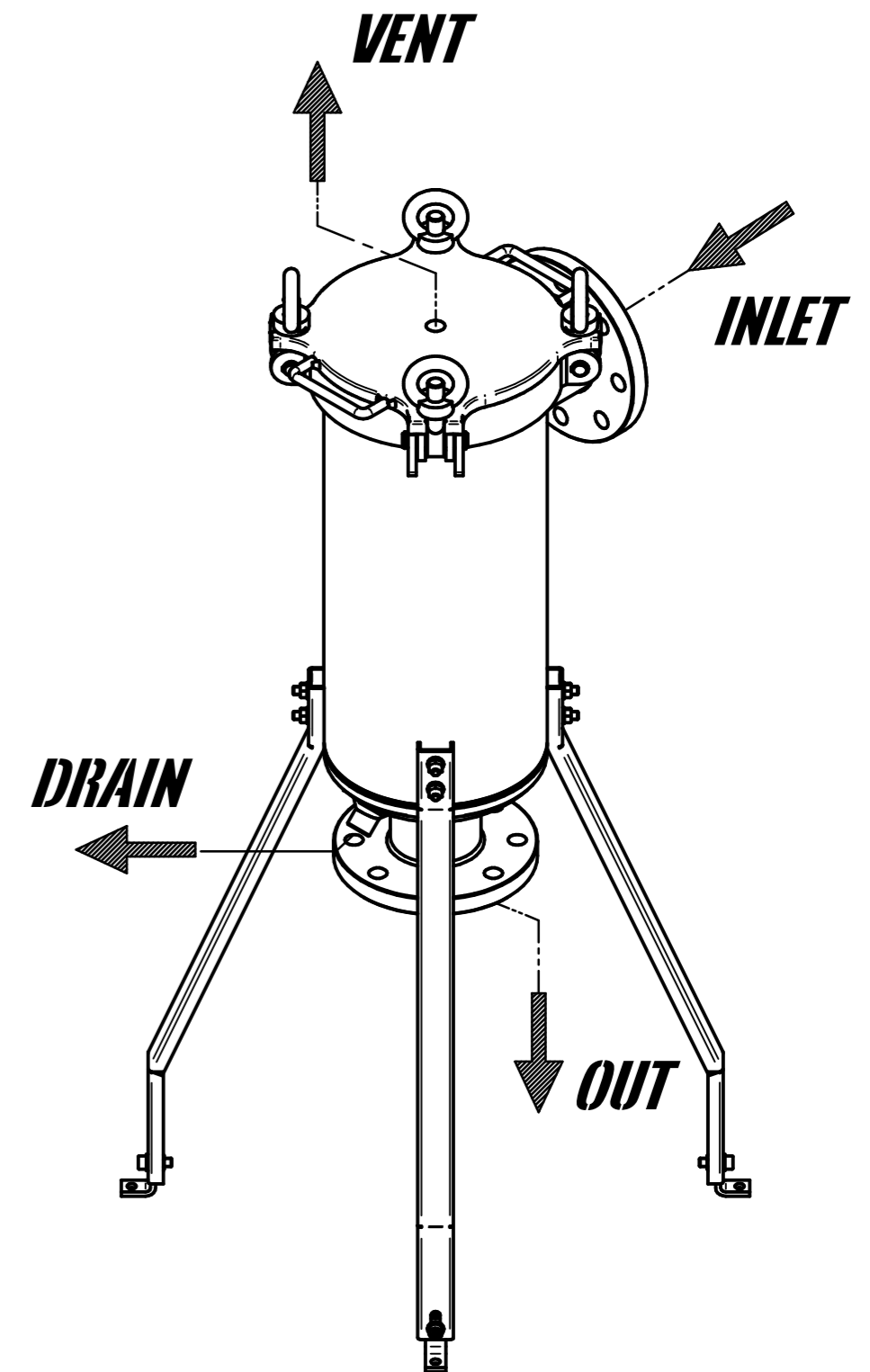
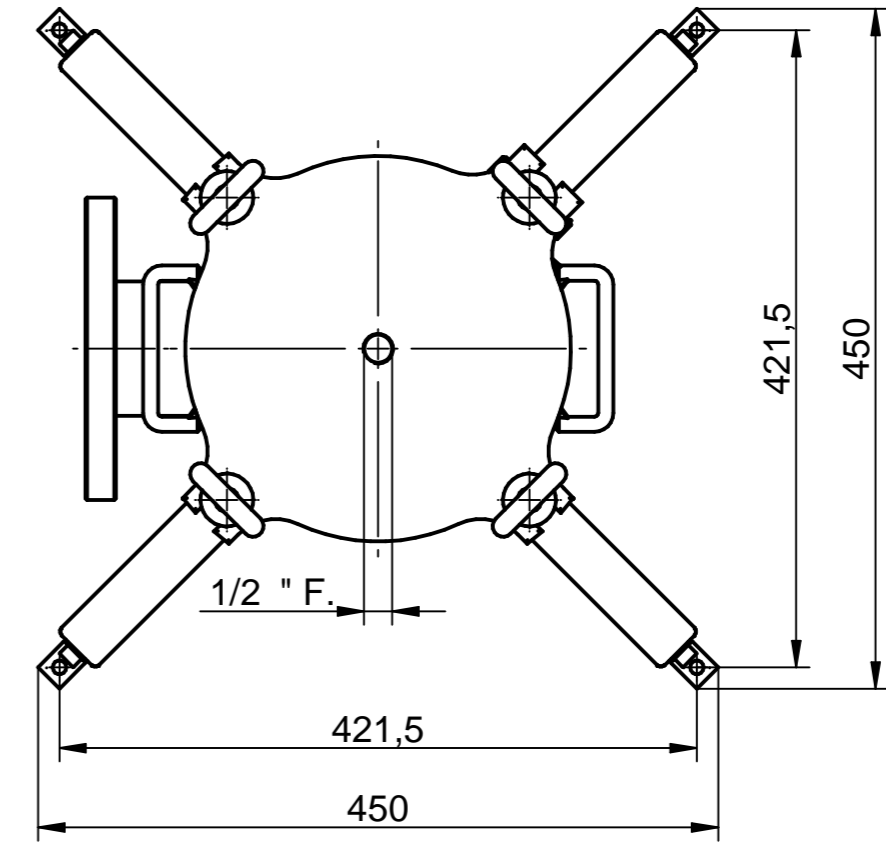
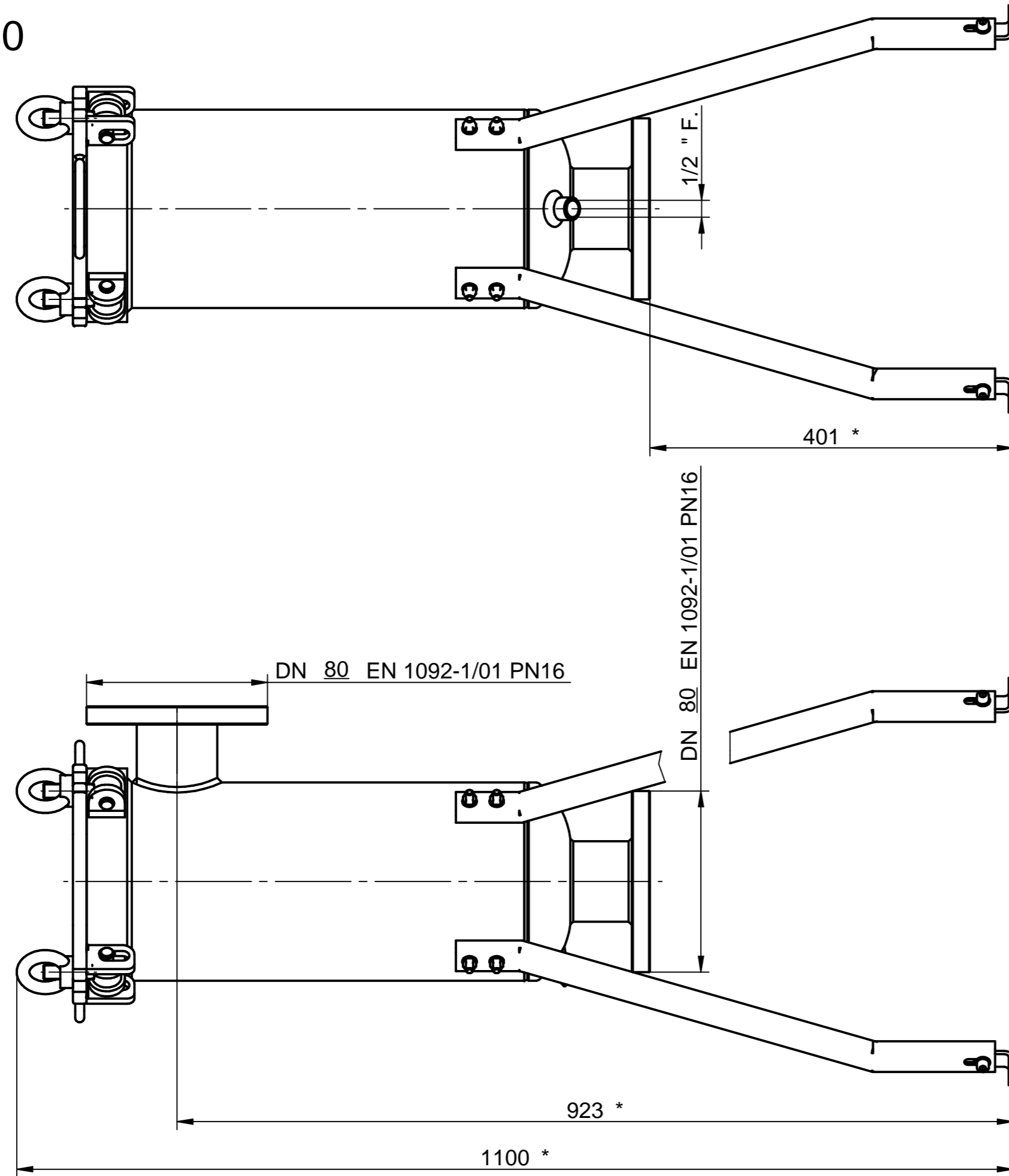



# INGOMBRI FILTRO FBE -1 1x17"

IN / OUT - DN80



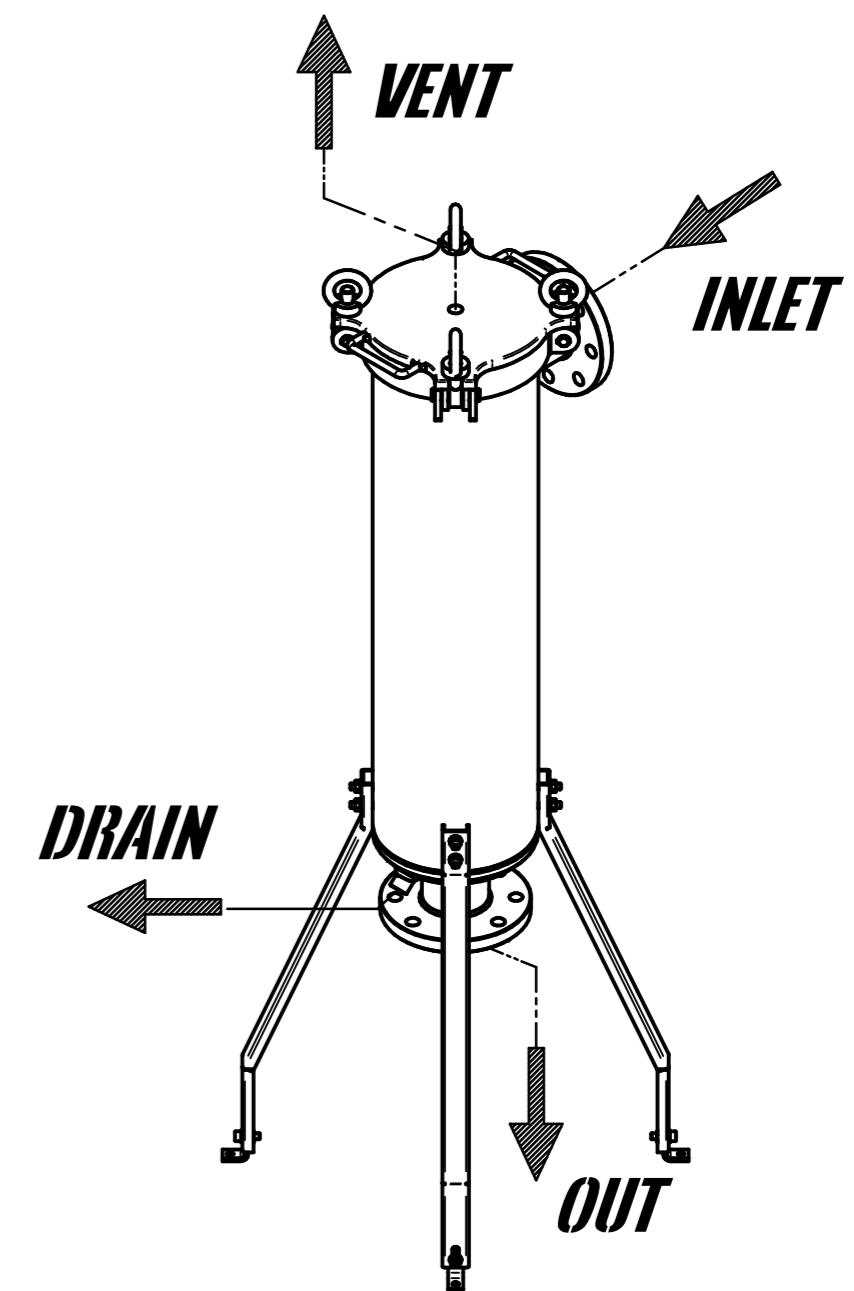
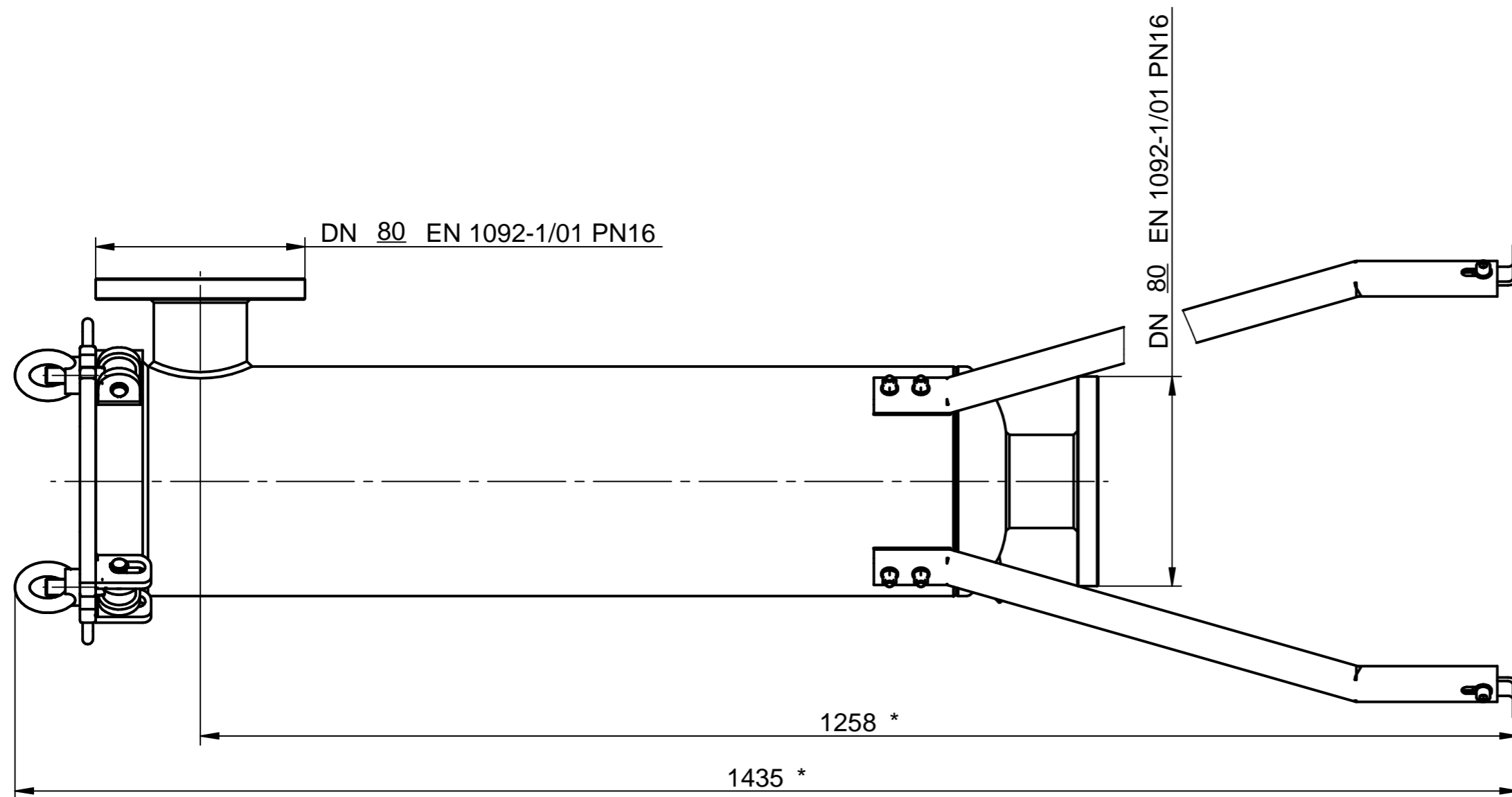
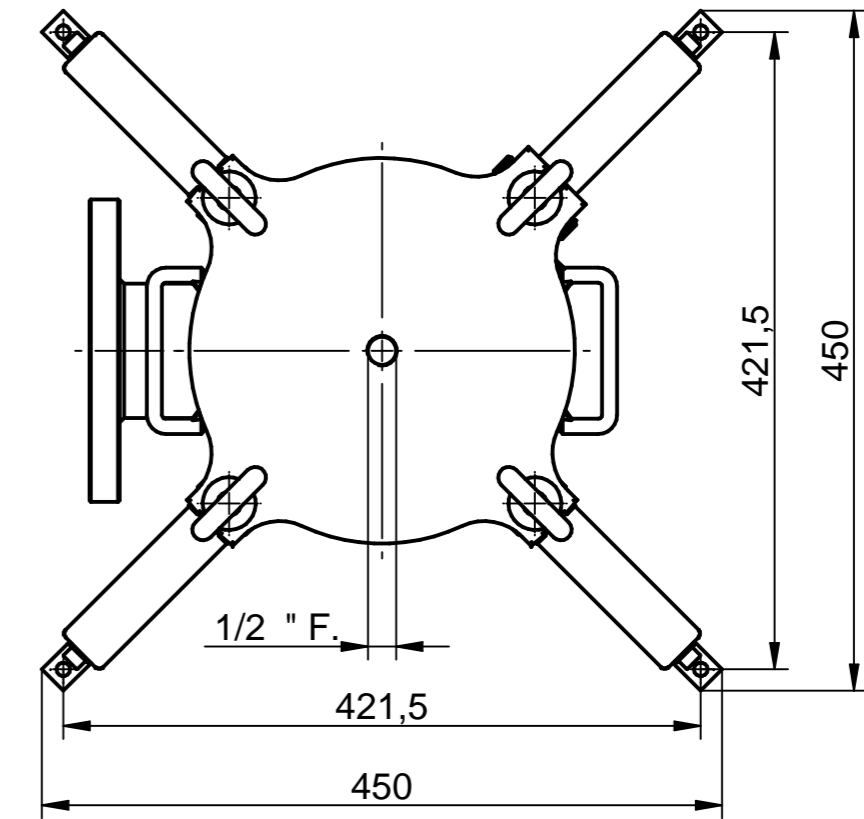
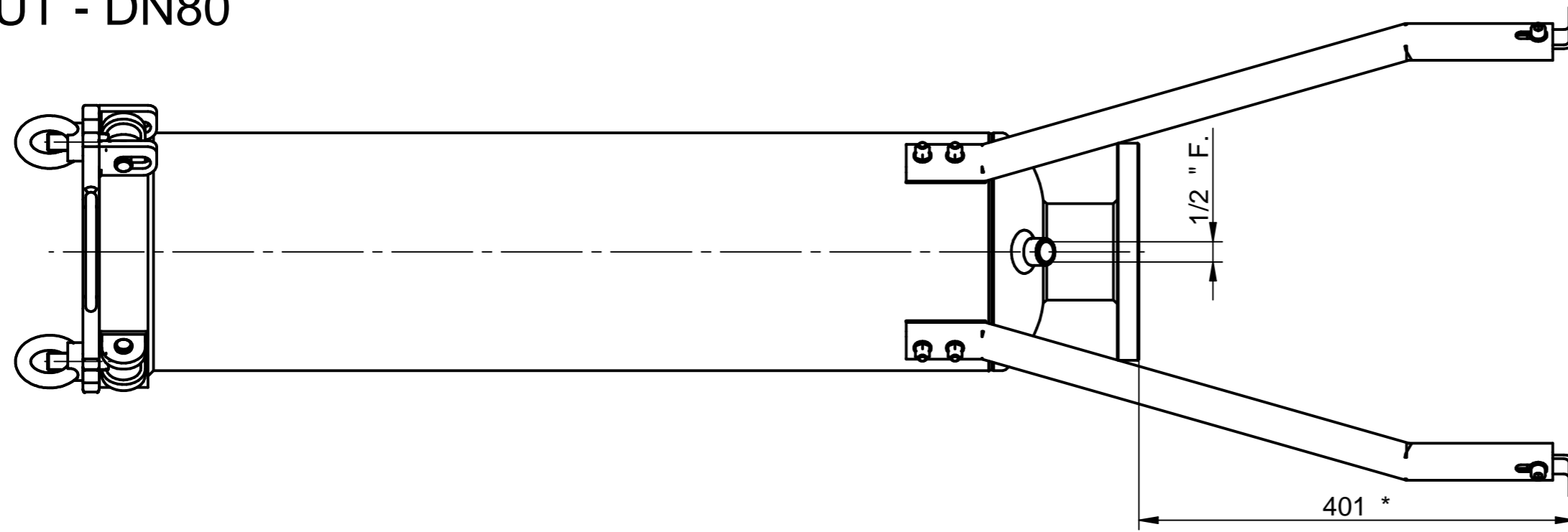
\* : LA QUOTA PUO' VARIARE DA 0-17 mm GRAZIE AI PIEDI REGOLABILI

\* : THE RATE CAN VARY FROM 0-17 mm THANKS TO ADJUSTABLE FEET

POS.	CODE	DENOMINATION			QUANTIT	MATERIALS
ALL DIMENSIONS MILLIMETERS	ALL SURFACES FINISH ROUGHNESS IN Ra μm	GENERAL TOLLERANCES UNLESS OTHERWISE SPECIFIED UNI-EN 22768-mk UNI-EN 22768-c			NOT QUOTED FILLET R=0.3 CHAMFER 0.3x45°	
SIMILAR TO	CRITICAL INDEX	WORK ORDER	JOB	QUANTITY	DRAWN DATE BY	APPROVED DATE BY
DENOMINATION				CODE	REV.	
INGOMBRI FILTRO FBE -1 1x17"				FBE316070117_I		
				MODIFICATION	DATE	BY
REPRODUCTION IS PROHIBITED - ALL RIGHTS RESERVED ACCORDING TO THE LAW				BARCODE	SCALE	PROJECTION
					1:6,67	⊕

# INGOMBRI FILTRO FBE -1 1x32"

IN / OUT - DN80



\* : LA QUOTA PUO' VARIARE DA 0-17 mm GRAZIE AI PIEDI REGOLABILI

\* : THE RATE CAN VARY FROM 0-17 mm THANKS TO ADJUSTABLE FEET

POS.	CODE	DENOMINATION			QUANTIT	MATERIALS
ALL DIMENSIONS MILLIMETERS	ALL SURFACES FINISH ROUGHNESS IN Ra μm	GENERAL TOLLERANCES UNLESS OTHERWISE SPECIFIED UNI-EN 22768-mk UNI-EN 22768-c			NOT QUOTED FILLET R=0.3 CHAMFER 0.3x45°	
SIMILAR TO	CRITICAL INDEX	WORK ORDER	JOB	QUANTITY	DRAWN DATE BY	APPROVED DATE BY
DENOMINATION				CODE	REV.	
INGOMBRI FILTRO FBE-1 1x32"				FBE316070132_I		
				MODIFICATION	DATE	BY
				BARCODE	SCALE	PROJECTION
REPRODUCTION IS PROHIBITED - ALL RIGHTS RESERVED ACCORDING TO THE LAW				1:5		