
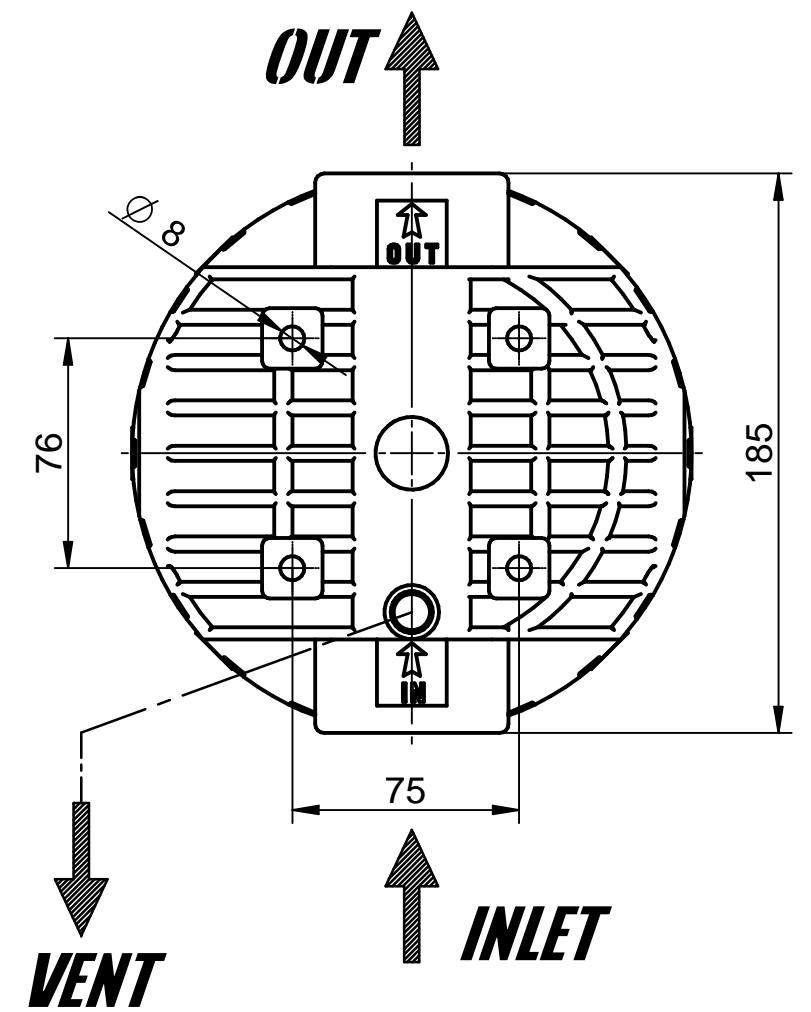
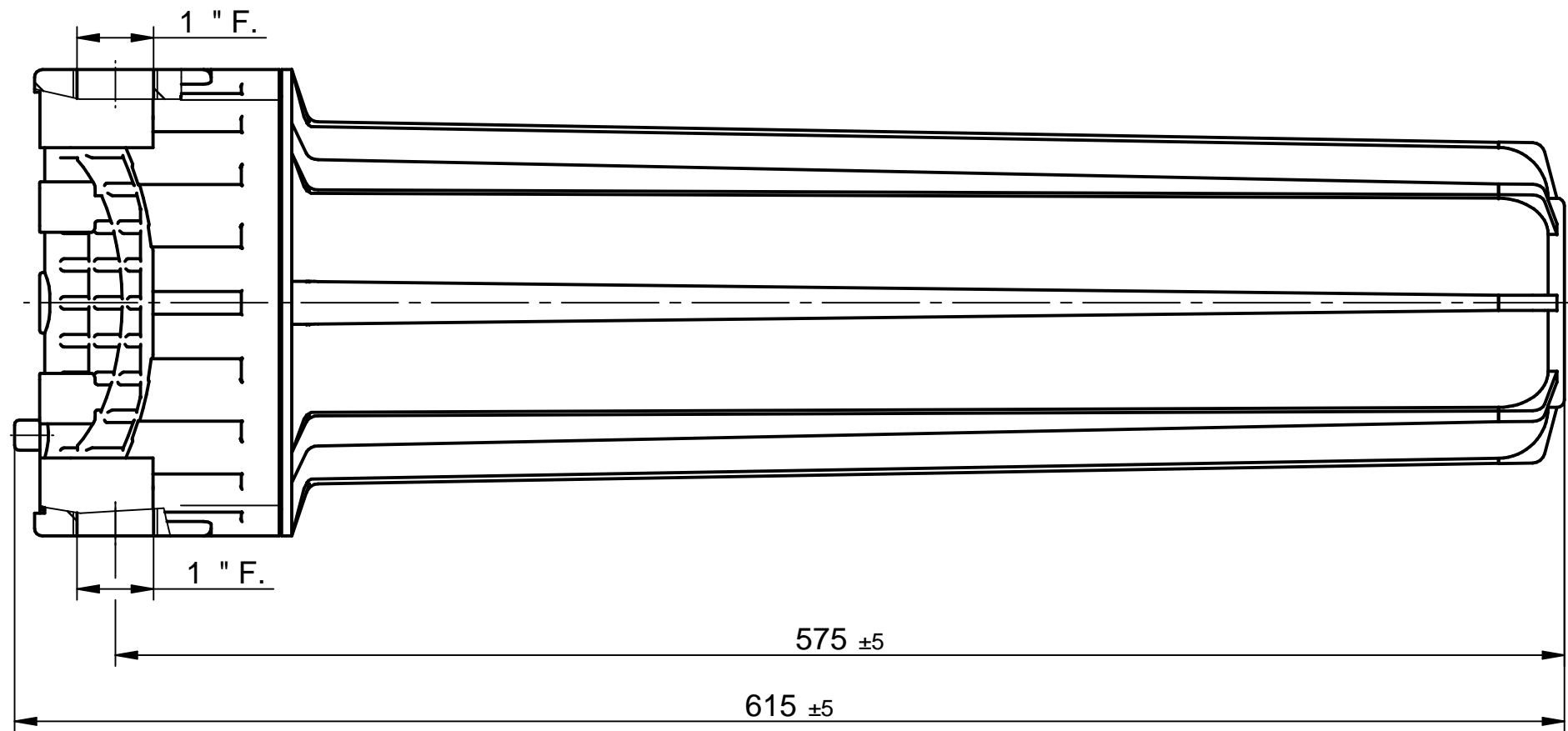


POS.	CODE	DENOMINATION				QUANTITY	MATERIALS		
ALL DIMENSIONS MILLIMETERS	ALL SURFACES FINISH ROUGHNESS IN Ra $\mu$ m	GENERAL TOLLERANCES UNLESS OTHERWISE SPECIFIED UNI-EN 22768-mK UNI-EN 22768-c				NOT QUOTED FILLET R=0.3 CHAMFER 0.3x45°			
SIMILAR TO	CRITICAL INDEX	WORK ORDER	JOB	QUANTITY	DRAWN DATE - BY	APPROVED DATE - BY			
DENOMINATION <b>FILTRO BIG 1x9" 3/4</b>						CODE <b>BIGPPB0109100FT_I</b>	REV.		
						MODIFICATION		DATE	BY
						BARCODE			
REPRODUCTION IS PROHIBITED - ALL RIGHTS RESERVED ACCORDING TO THE LAW									



POS.	CODE	DENOMINATION				QUANTITY	MATERIALS
ALL DIMENSIONS MILLIMETERS	ALL SURFACES FINISH ROUGHNESS IN Ra $\mu\text{m}$	GENERAL TOLLERANCES UNLESS OTHERWISE SPECIFIED UNI-EN 22768-mK UNI-EN 22768-c				NOT QUOTED FILLET R=0.3 CHAMFER 0.3x45°	
SIMILAR TO	CRITICAL INDEX	WORK ORDER	JOB	QUANTITY	DRAWN DATE - BY	APPROVED DATE - BY	
DENOMINATION <b>FILTRO BIG 1x20"</b>						CODE <b>BIGPPB0120112FT_I</b>	REV.
				MODIFICATION		DATE	BY
				BARCODE		SCALE <b>1:2,5</b>	PROJECTION
REPRODUCTION IS PROHIBITED - ALL RIGHTS RESERVED ACCORDING TO THE LAW							