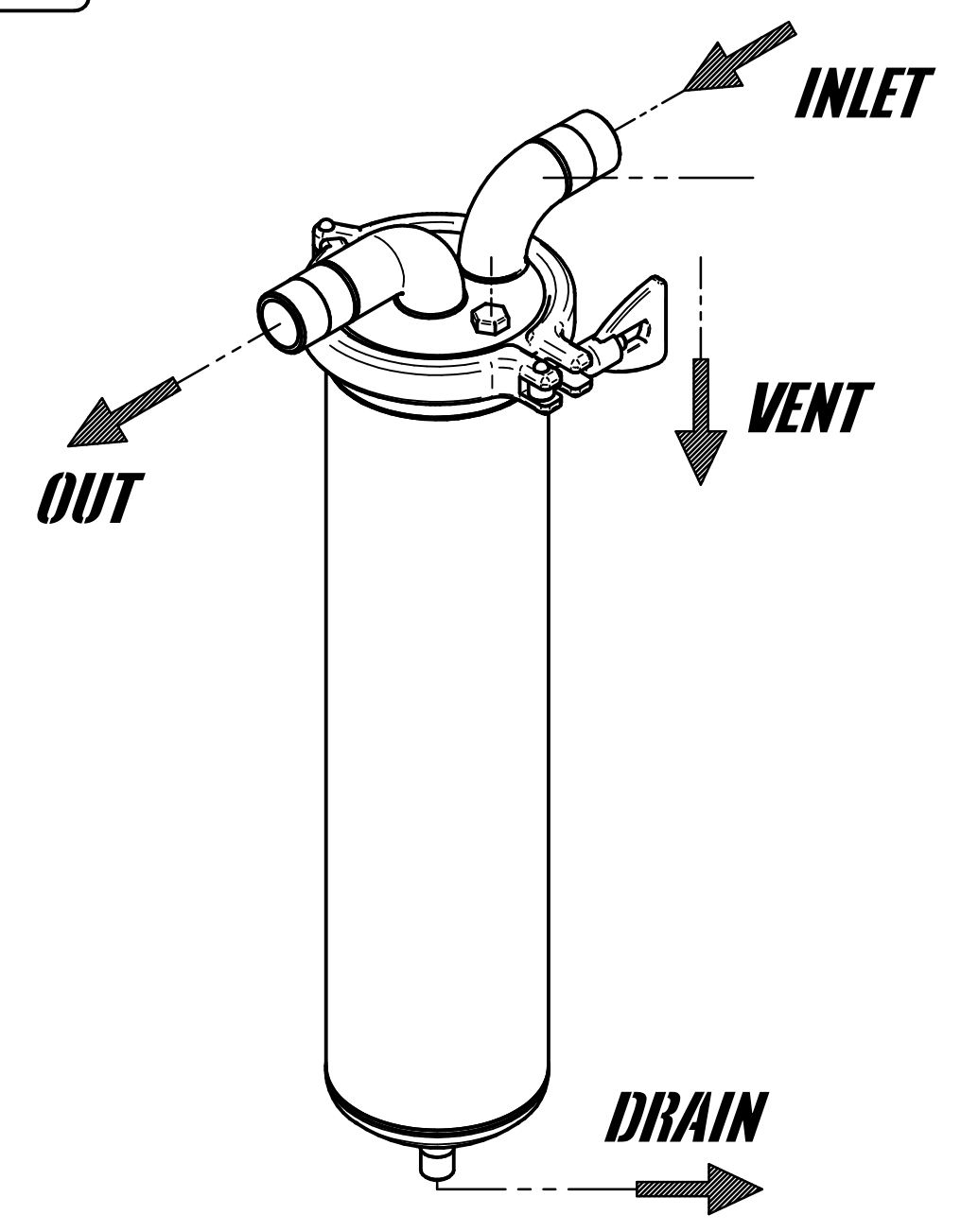
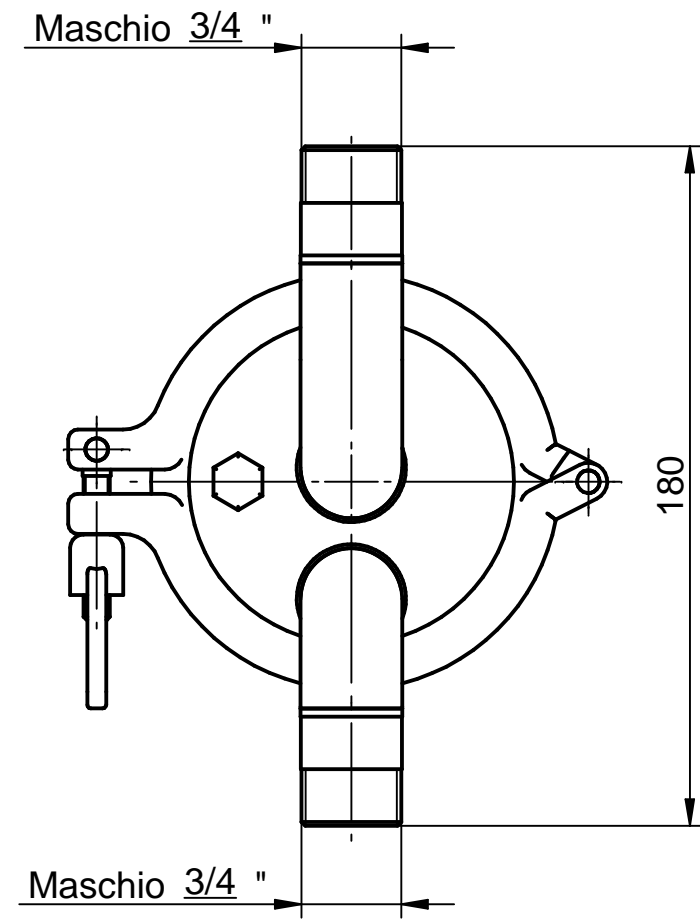
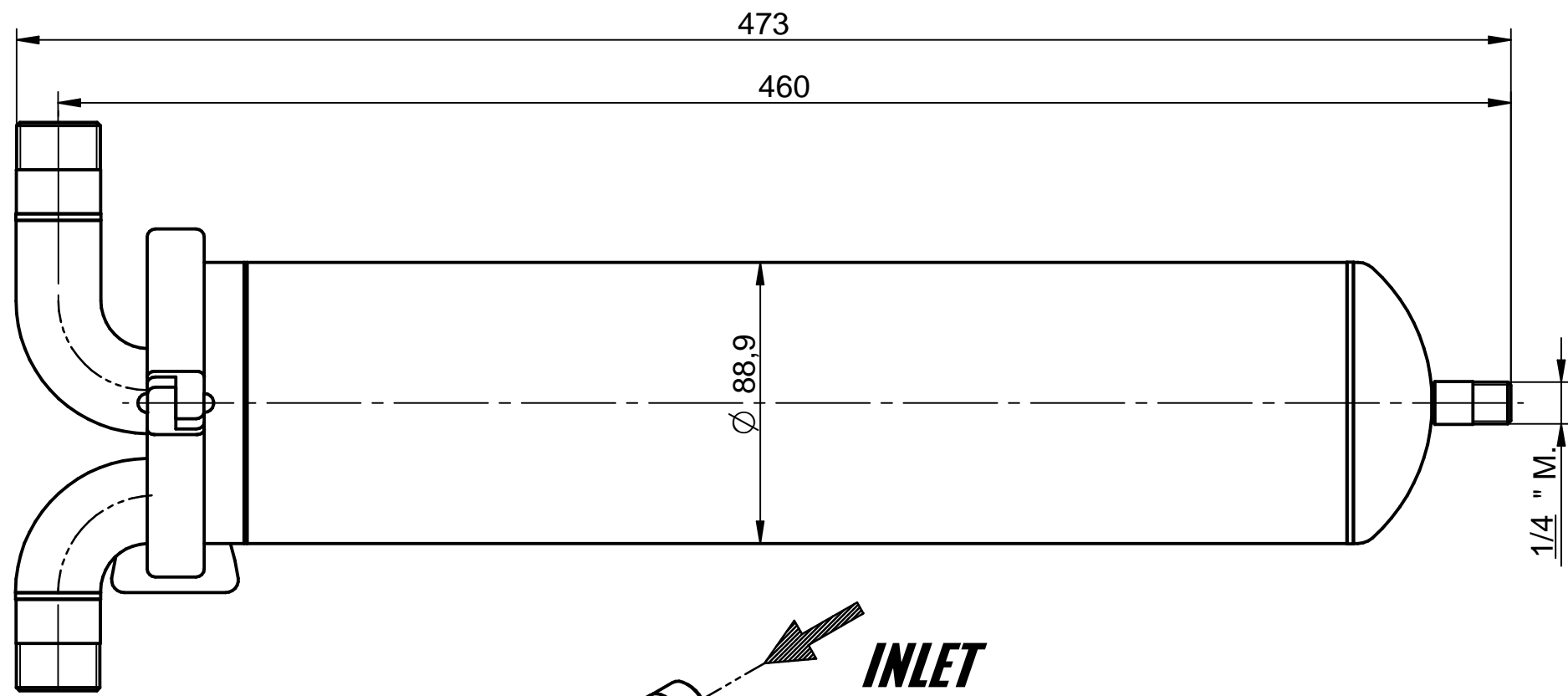
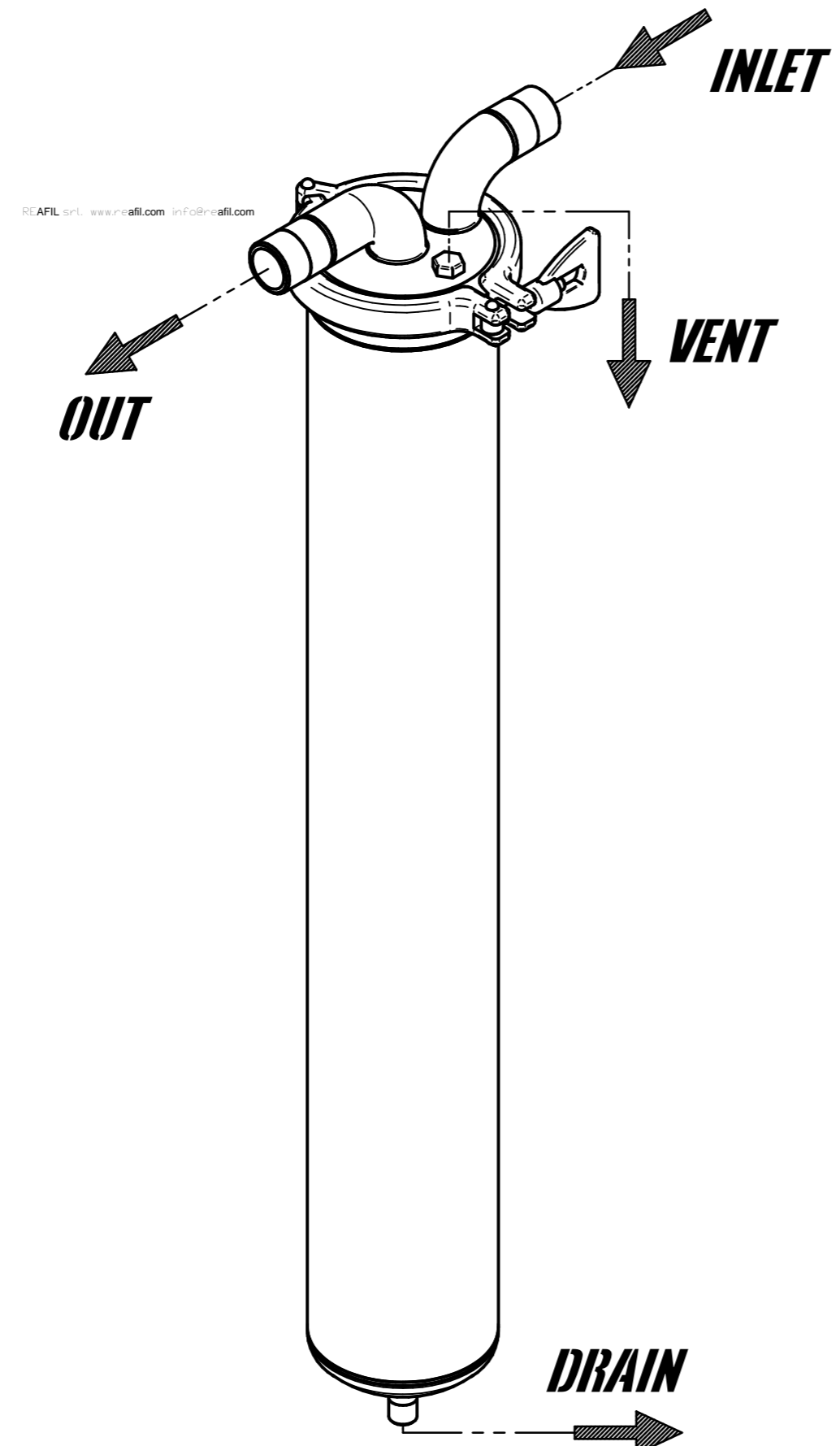
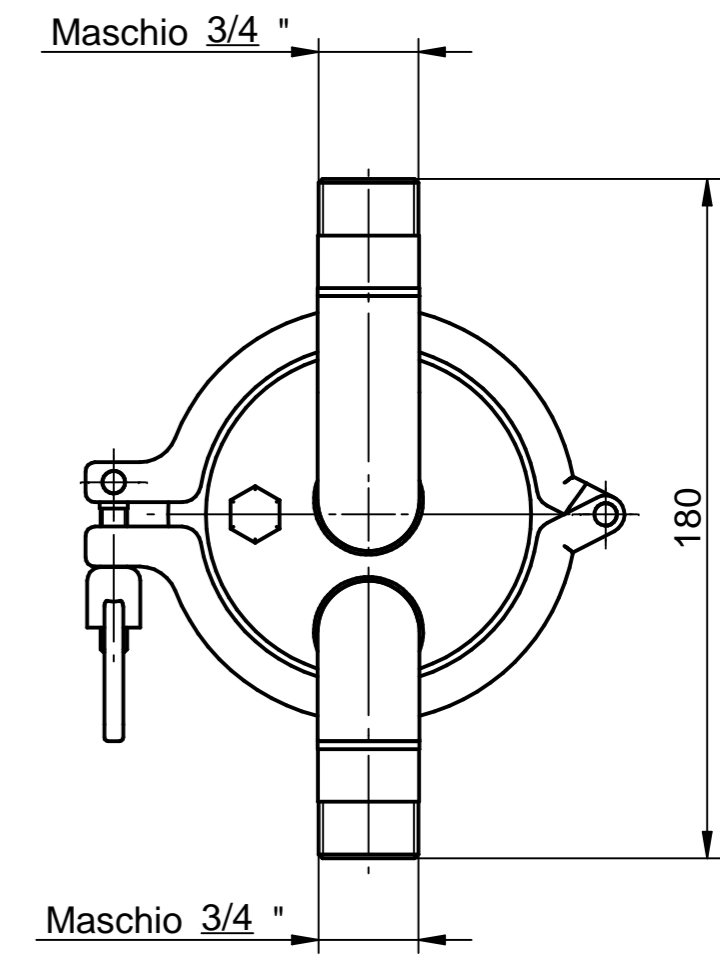
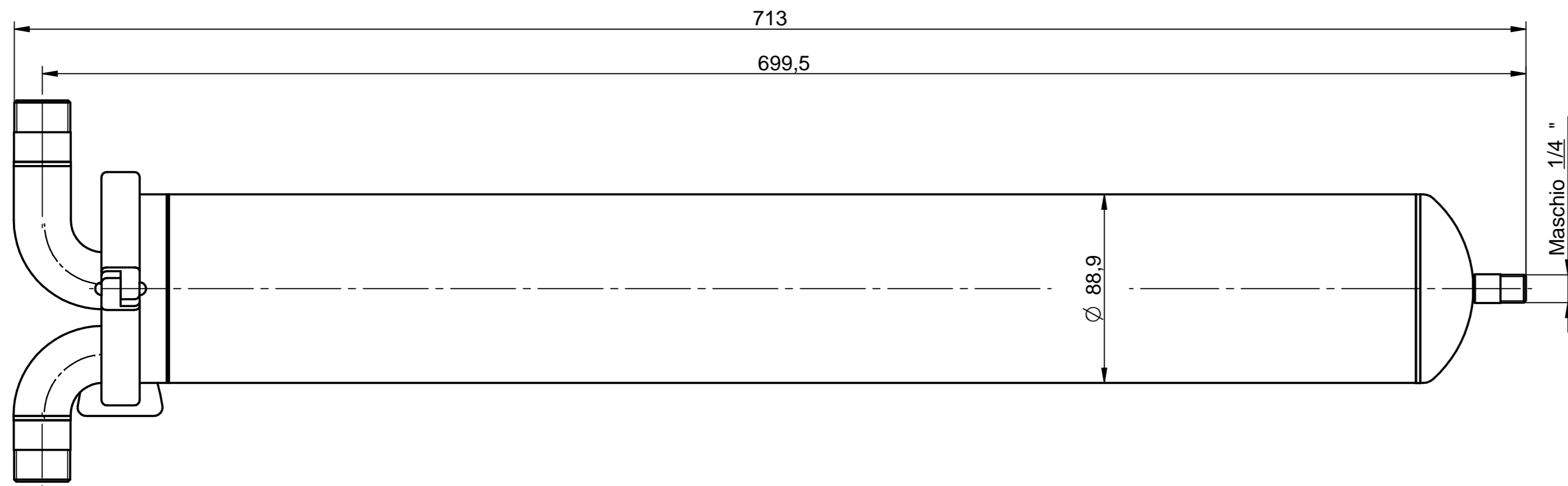


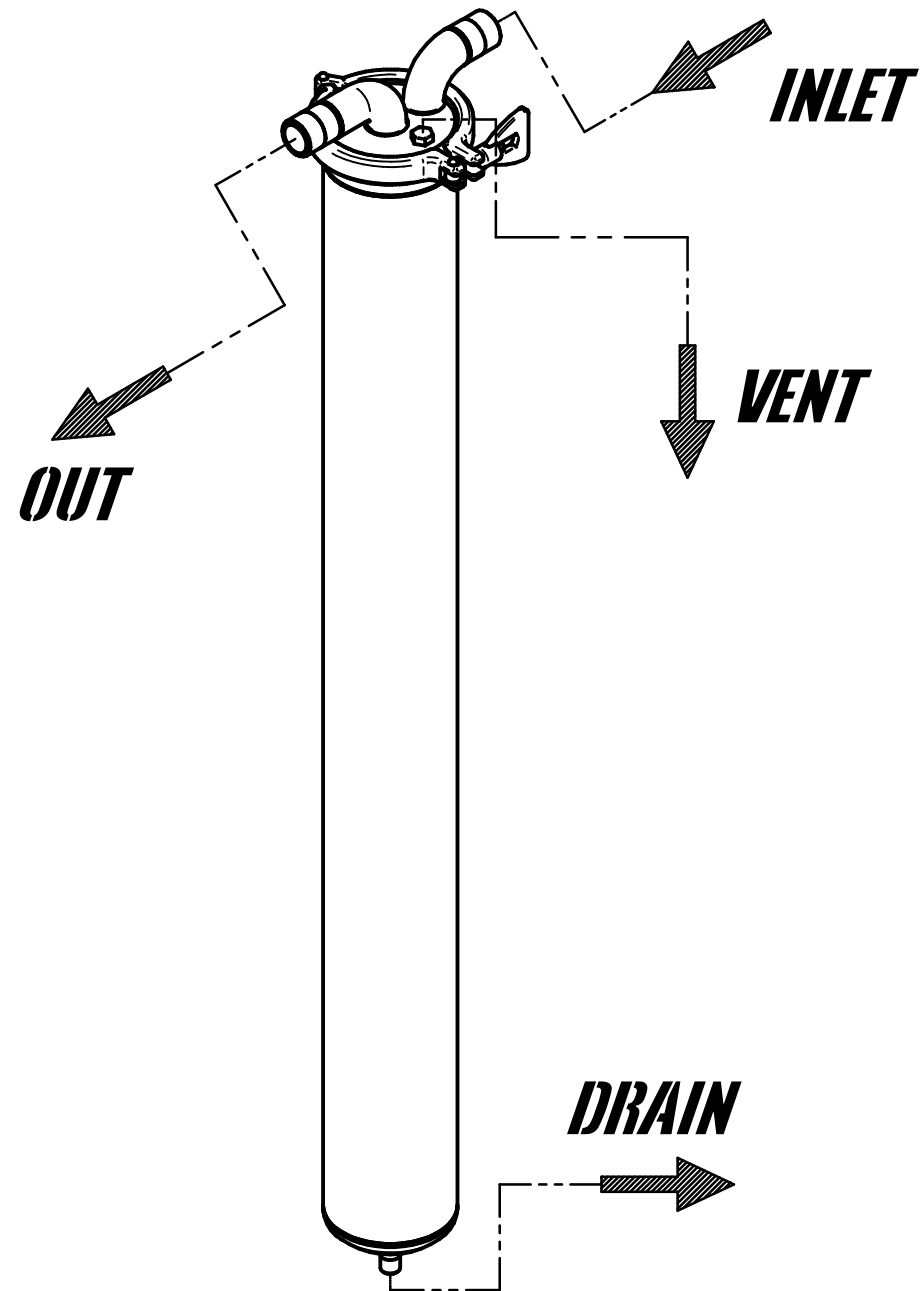
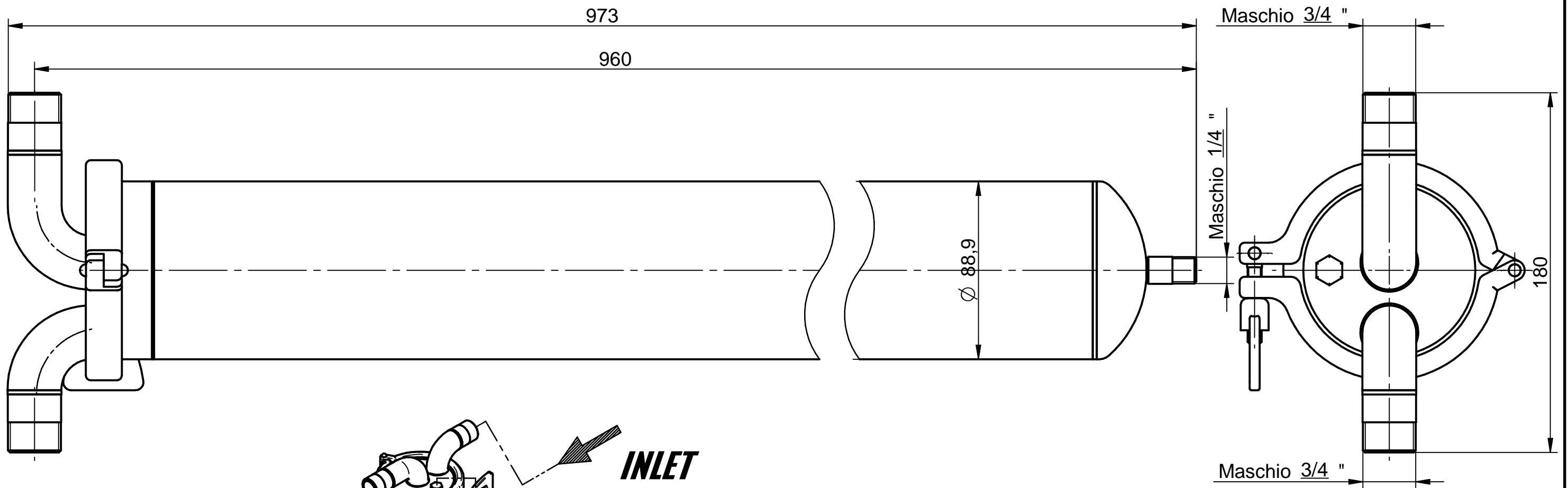
POS.	CODE	DENOMINATION				QUANTITY	MATERIALS
ALL DIMENSIONS MILLIMETERS	ALL SURFACES FINISH ROUGHNESS IN Ra $\mu\text{m}$	GENERAL TOLLERANCES UNLESS OTHERWISE SPECIFIED UNI-EN 22768-mK UNI-EN 22768-c				NOT QUOTED FILLET R=0.3 CHAMFER 0.3x45°	
SIMILAR TO	CRITICAL INDEX	WORK ORDER	JOB	QUANTITY	DRAWN DATE - BY	APPROVED DATE - BY	
DENOMINATION <b>INGOMBRI FILTRO FM0-1 1x9" 3/4</b>						CODE <b>FM0316LST0109_E</b>	REV.
						MODIFICATION	DATE
						DATE	BY
REPRODUCTION IS PROHIBITED - ALL RIGHTS RESERVED ACCORDING TO THE LAW						SCALE <b>1:2</b>	PROJECTION 



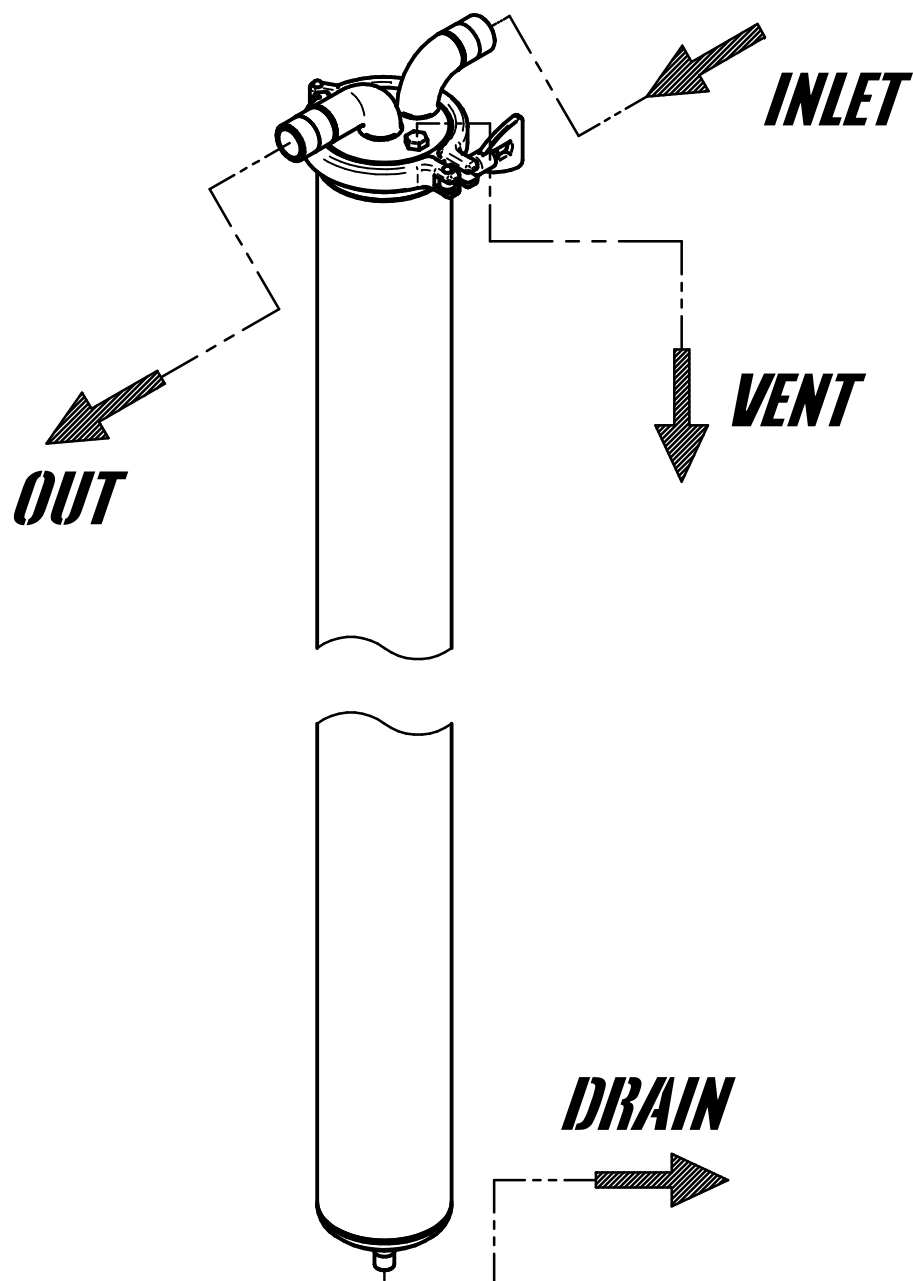
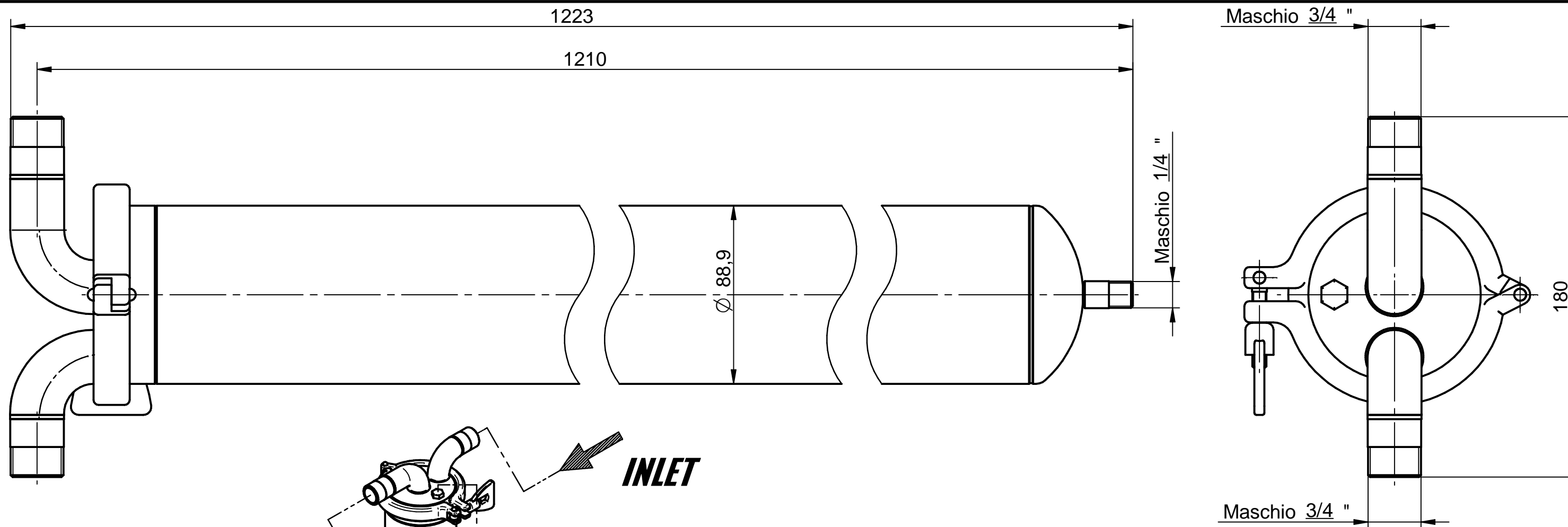
POS.	CODE	DENOMINATION				QUANTITY	MATERIALS	
ALL DIMENSIONS MILLIMETERS	ALL SURFACES FINISH ROUGHNESS IN Ra µm	GENERAL TOLLERANCES UNLESS OTHERWISE SPECIFIED UNI-EN 22768-mK UNI-EN 22768-c				NOT QUOTED FILLET R=0.3 CHAMFER 0.3x45°		
SIMILAR TO	CRITICAL INDEX	WORK ORDER	JOB	QUANTITY	DRAWN DATE BY	APPROVED DATE BY		
DENOMINATION <b>INGOMBRI FILTRO FM0-1 1x10"</b>					CODE <b>FM0316LST0110_I</b>		REV.	
					MODIFICATION		DATE	BY
					BARCODE		SCALE <b>1:5</b>	PROJECTION
REPRODUCTION IS PROHIBITED - ALL RIGHTS RESERVED ACCORDING TO THE LAW								




POS.	CODE	DENOMINATION			QUANTITY	MATERIALS	
ALL DIMENSIONS MILLIMETERS	ALL SURFACES FINISH ROUGHNESS IN Ra µm	GENERAL TOLLERANCES UNLESS OTHERWISE SPECIFIED UNI-EN 22768-mK UNI-EN 22768-c			NOT QUOTED FILLET R=0.3 CHAMFER 0.3x45°		
SIMILAR TO	CRITICAL INDEX	WORK ORDER	JOB	QUANTITY	DRAWN DATE BY	APPROVED DATE BY	
DENOMINATION				CODE	REV.		
INGOMBRI FILTRO FM0-1 1x20"				FM0316LST0120_I			
				MODIFICATION	DATE	BY	
				BARCODE	SCALE	PROJECTION	
REPRODUCTION IS PROHIBITED - ALL RIGHTS RESERVED ACCORDING TO THE LAW						1:2	⊕



POS.	CODE	DENOMINATION				QUANTITY	MATERIALS	
ALL DIMENSIONS MILLIMETERS	ALL SURFACES FINISH ROUGHNESS IN Ra $\mu\text{m}$	GENERAL TOLLERANCES UNLESS OTHERWISE SPECIFIED UNI-EN 22768-mK UNI-EN 22768-c			NOT QUOTED FILLET R=0.3 CHAMFER 0.3x45°			
SIMILAR TO	CRITICAL INDEX	WORK ORDER	JOB	QUANTITY	DRAWN DATE - BY	APPROVED DATE - BY		
DENOMINATION					CODE		REV.	
INGOMBRI FILTRO FM0-1 1x30"					FM0316LST0130_I			
				MODIFICATION		DATE	BY	
				BARCODE		SCALE	PROJECTION	
REPRODUCTION IS PROHIBITED - ALL RIGHTS RESERVED ACCORDING TO THE LAW							1:2	



POS.	CODE	DENOMINATION				QUANTITY	MATERIALS
ALL DIMENSIONS MILLIMETERS	ALL SURFACES FINISH ROUGHNESS IN Ra $\mu\text{m}$	GENERAL TOLLERANCES UNLESS OTHERWISE SPECIFIED UNI-EN 22768-mK UNI-EN 22768-c				NOT QUOTED FILLET R=0.3 CHAMFER 0.3x45°	
SIMILAR TO	CRITICAL INDEX	WORK ORDER	JOB	QUANTITY	DRAWN DATE BY	APPROVED DATE - BY -	
DENOMINATION						CODE	REV.
INGOMBRI FILTRO FM0-1 1x40"						FM0316LST0140_I	
						MODIFICATION	DATE
						DATE	BY
REAFIL s.r.l. www.reafil.com info@reafil.com						SCALE	PROJECTION
REPRODUCTION IS PROHIBITED - ALL RIGHTS RESERVED ACCORDING TO THE LAW						1:2	