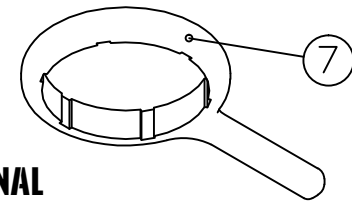
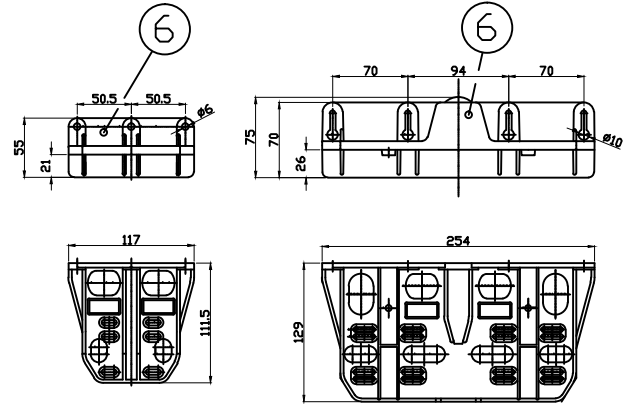
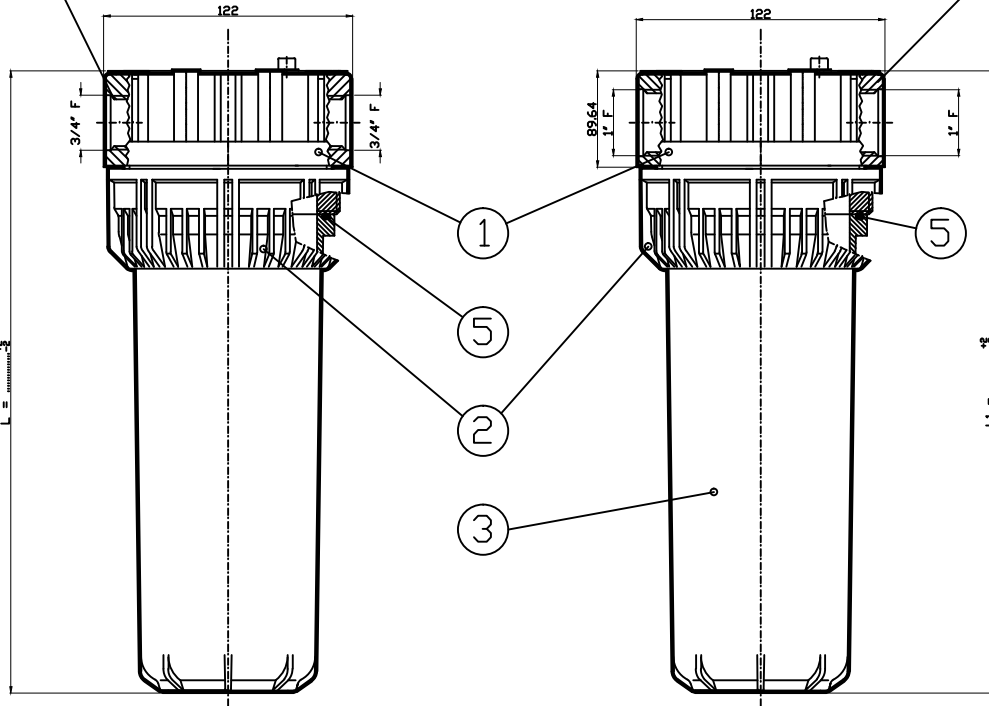


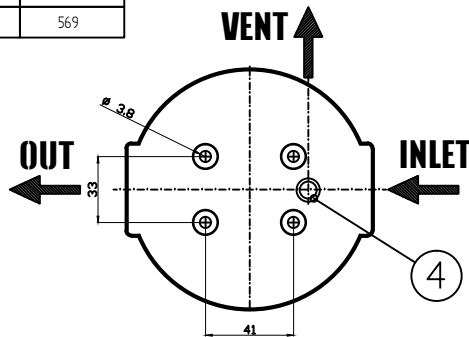
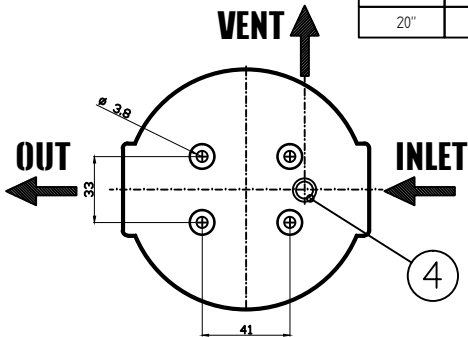
SENZA INSERTI IN OTTONE
Without brass insert

SENZA INSERTI IN OTTONE
Without brass insert



OPTIONAL

	L =	L1 =
9" 3/4	304	310
20"	563	569

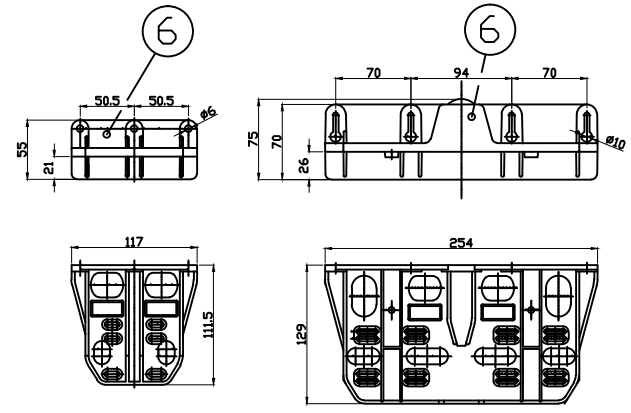
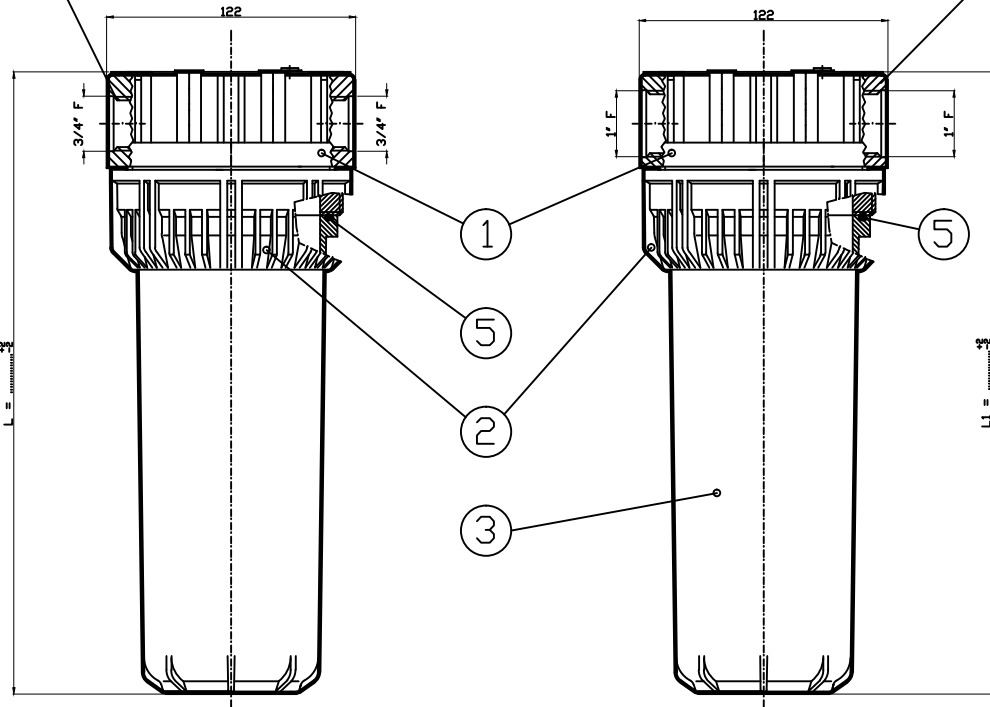


1	TESTA / Head	1	PP
2	GHIERA / Ring-nut	1	PP
3	VASO / Bowl	1	PP
4	VALVOLA DI SFIATO IN PP CON MOLLA AISI 304 / PP relief valve with AISI 304 spring	1	
5	MG011370 O-RING 4350 D.96.06 x d.89 x 3.53	1	NBR
6	A6010930-A6011340 STAFFA SINGOLA -STAFFA DOPPIA / Bracket single - Bracket double	1	PP
7	A6010010 CHIAVE / Key	1	PP
POS. CODE	DENOMINATION	QUANTITY	MATERIALS
ALL DIMENSIONS MILLIMETERS	ALL SURFACES FINISH ROUGHNESS IN Ra µm	GENERAL TOLERANCES UNLESS OTHERWISE SPECIFIED UNI-EN 22768-mK UNI-EN 22768-c	NOT QUOTED FILLET R=0.3 CHAMFER 0.3x45°
SIMILAR TO	CRITICAL INDEX	WORK ORDER	JOB
QUANTITY		DRAWN DATE BY	
APPROVED			
DENOMINATION FILTRO FP3PP			CODE FP3PPST
MODIFICATION			DATE BY
BARCODE			SCALE 1:1
			PROJECTION



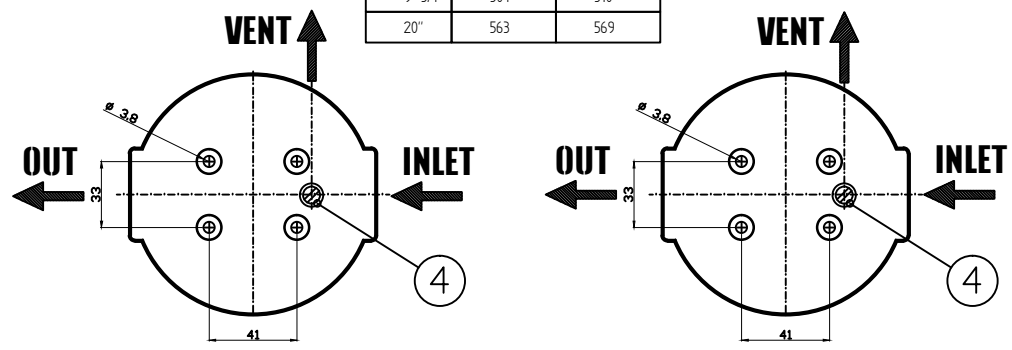
CON INSERTI IN OTTONE
With brass insert


CON INSERTI IN OTTONE
With brass insert



OPTIONAL

	L =	L1 =
9" 3/4	304	310
20"	563	569



1	TESTA / Head	1	PP
2	GHIERA / Ring-nut	1	PP
3	VASO / Bowl	1	PP
4	VALVOLA DI SFIATO IN OTTONE / Brass relief valve	1	
5	MG011370	O-RING 4350 D.96.06 x d.89 x 3.53	1	NBR
6	A6010930-A6011340	STAFFA SINGOLA -STAFFA DOPPIA / Bracket single - Bracket double	1	PP
7	A6010010	CHIAVE / Key	1	PP
POS. CODE	DENOMINATION		QUANTITY	MATERIALS
ALL DIMENSIONS MILLIMETERS	ALL SURFACES FINISH ROUGHNESS IN Ra µm	GENERAL TOLLERANCES UNLESS OTHERWISE SPECIFIED UNI-EN 22768-mK UNI-EN 22768-c	NOT QUOTED FILLET R=0.3 CHAMFER 0.3x45°	
SIMILAR TO	CRITICAL INDEX	WORK ORDER	JOB	QUANTITY DRAWN DATE BY
DENOMINATION			CODE	REV.
FILTRO FP3PP			FP3PPST	B
			MODIFICATION	DATE BY
BARCODE			SCALE	PROJECTION
			1:1	