

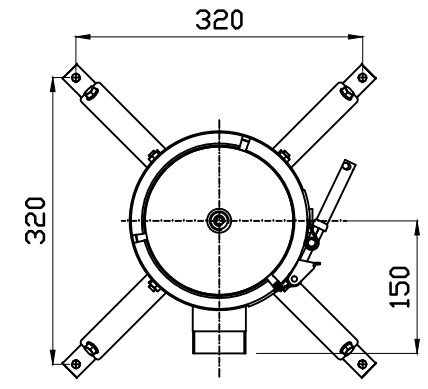
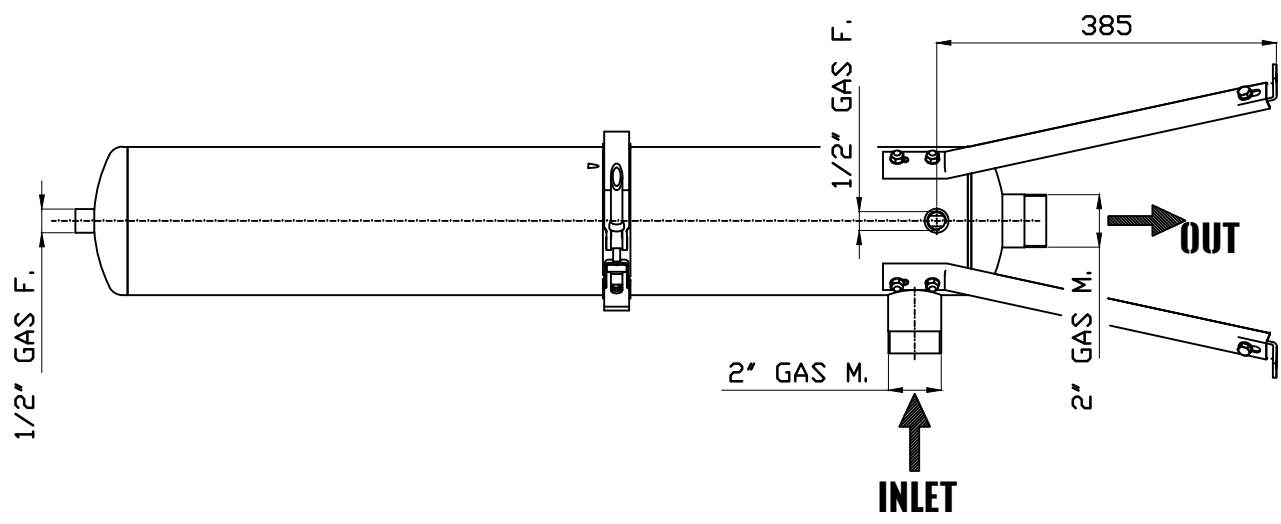
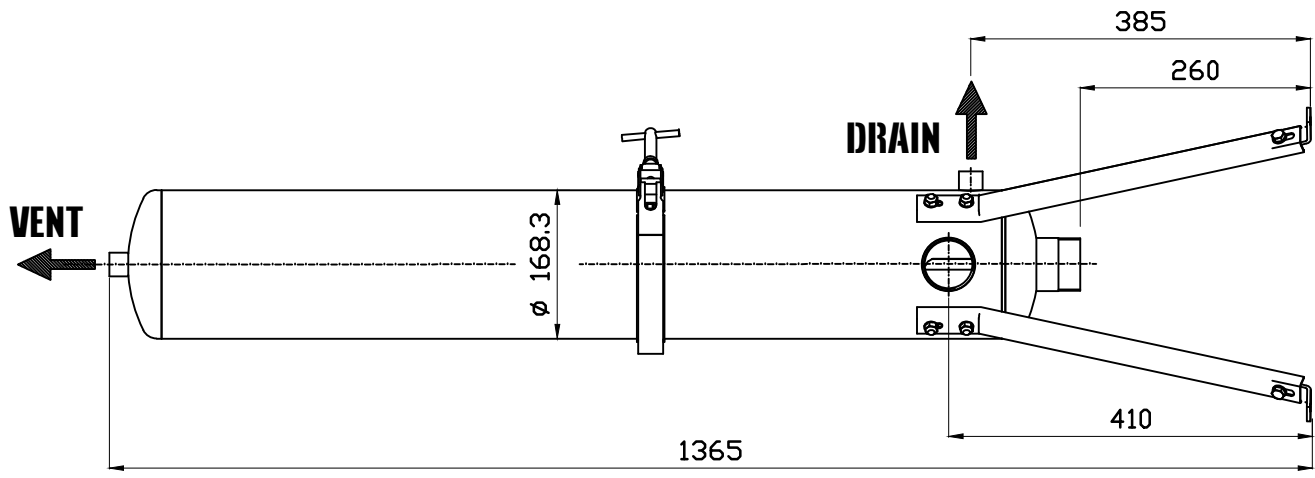
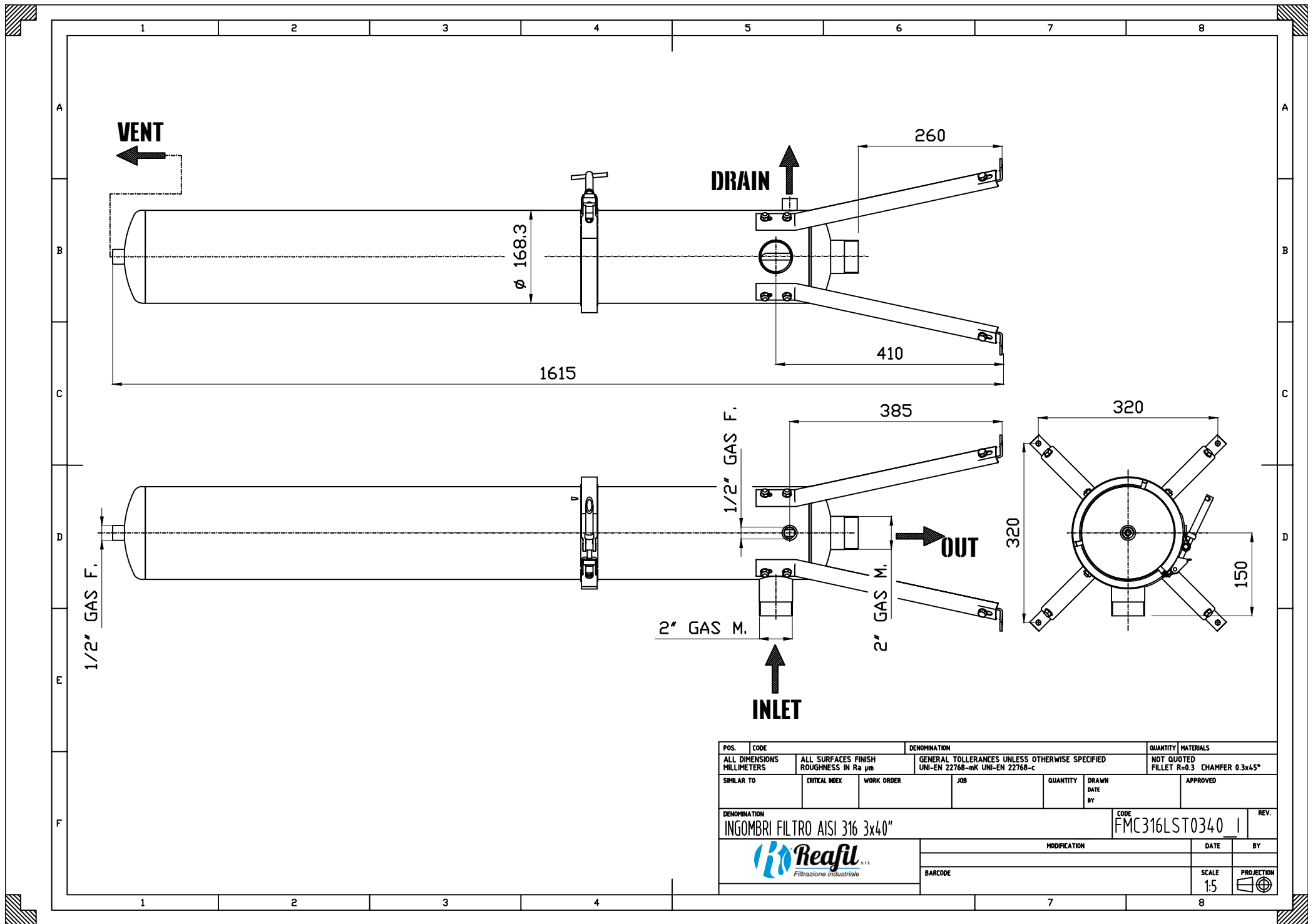



POS.	CODE	DENOMINATION		QUANTITY	MATERIALS
ALL DIMENSIONS MILLIMETERS	ALL SURFACES FINISH ROUGHNESS IN Ra μ m	GENERAL TOLERANCES UNLESS OTHERWISE SPECIFIED UNI-EN 22768-mK UNI-EN 22768-c		NOT QUOTED	FILLET R=0.3 CHAMFER 0.3x45°
SIMILAR TO	CRITICAL INDEX	WORK ORDER	JOB	QUANTITY DRAWN DATE BY	APPROVED
DENOMINATION INGOMBRI FILTRO AISI 316 3x20"				CODE FMC316LST0320	REV. 1
				MODIFICATION	DATE
				BY	SCALE 1:5
BARCODE				PROJECTION	



POS.	CODE	DENOMINATION		QUANTITY	MATERIALS
ALL DIMENSIONS MILLIMETERS	ALL SURFACES FINISH ROUGHNESS IN Ra μ m	GENERAL TOLERANCES UNLESS OTHERWISE SPECIFIED UNI-EN 22768-mK UNI-EN 22768-c		NOT QUOTED FILLET R=0.3 CHAMFER 0.3x45°	
SIMILAR TO	CRITICAL INDEX	WORK ORDER	JOB	QUANTITY DRAWN DATE BY	APPROVED
DENOMINATION INGOMBRI FILTRO AISI 316 3x30"				CODE FMC316LST0330	REV. 1
			MODIFICATION		DATE
			BY		
BARCODE				SCALE 1:5	PROJECTION



POS.	CODE	DENOMINATION		QUANTITY	MATERIALS	
ALL DIMENSIONS MILLIMETERS	ALL SURFACES FINISH ROUGHNESS IN Ra μm	GENERAL TOLERANCES UNLESS OTHERWISE SPECIFIED UNI-EN 22768-mK UNI-EN 22768-c		NOT QUOTED FILLET R=0.3 CHAMFER 0.3x45°		
SIMILAR TO	CRITICAL INDEX	WORK ORDER	JOB	QUANTITY DRAWN DATE BY	APPROVED	
DENOMINATION INGOMBRI FILTRO AISI 316 3x40"				CODE FMC316LST0340	REV. 1	
			MODIFICATION		DATE	BY
			BARCODE		SCALE 1:5	PROJECTION 