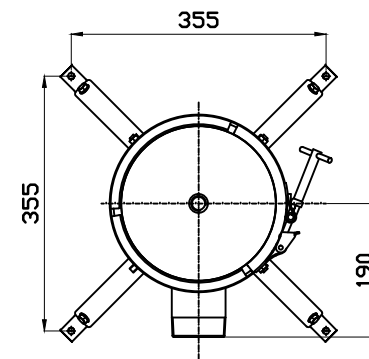
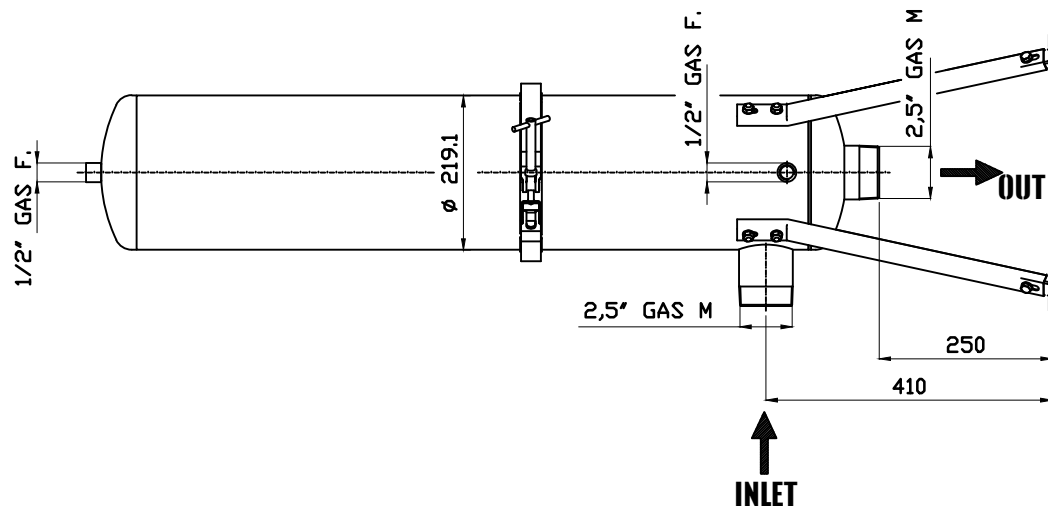
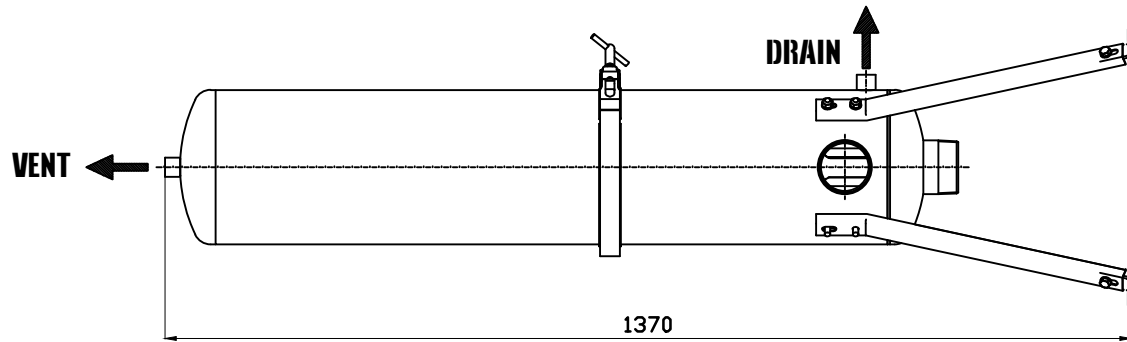


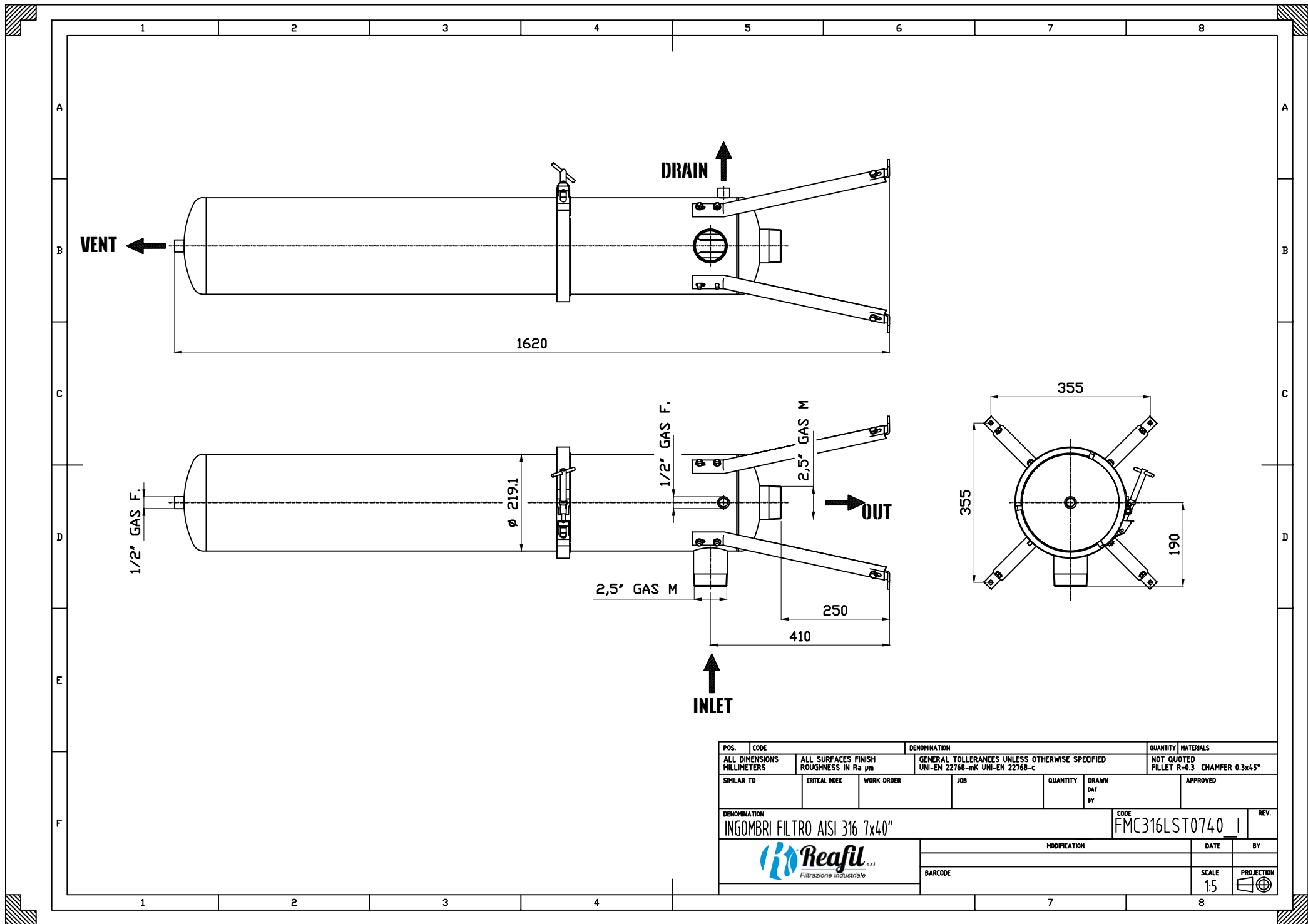


POS.	CODE	DENOMINATION		QUANTITY	MATERIALS
ALL DIMENSIONS MILLIMETERS	ALL SURFACES FINISH ROUGHNESS IN Ra μm	GENERAL TOLERANCES UNLESS OTHERWISE SPECIFIED UNI-EN 22768-mK UNI-EN 22768-c		NOT QUOTED FILLET R=0.3 CHAMFER 0.3x45°	
SIMILAR TO	CRITICAL INDEX	WORK ORDER	JOB	QUANTITY DRAWN DATE BY	APPROVED
DENOMINATION INGOMBRI FILTRO AISI 316 7x20"				CODE FMC316LST0720	REV. 1
			MODIFICATION		DATE
			BY		
BARCODE				SCALE 1:5	PROJECTION



POS.	CODE	DENOMINATION		QUANTITY	MATERIALS
ALL DIMENSIONS MILLIMETERS	ALL SURFACES FINISH ROUGHNESS IN Ra μ m	GENERAL TOLERANCES UNLESS OTHERWISE SPECIFIED UNI-EN 22768-mK UNI-EN 22768-c		NOT QUOTED FILLET R=0.3 CHAMFER 0.3x45°	
SIMILAR TO	CRITICAL INDEX	WORK ORDER	JOB	QUANTITY	DRAWN DATE BY
DENOMINATION				CODE	REV.
INGOMBRI FILTRO AISI 316 7x30"				FMC316LST0730	1
 Filtrazione industriale			MODIFICATION	DATE	BY
BARCODE				SCALE	PROJECTION
				1:5	



POS.	CODE	DENOMINATION		QUANTITY	MATERIALS
ALL DIMENSIONS MILLIMETERS	ALL SURFACES FINISH ROUGHNESS IN Ra μ m	GENERAL TOLERANCES UNLESS OTHERWISE SPECIFIED UNI-EN 22768-mK UNI-EN 22768-c		NOT QUOTED FILLET R=0.3 CHAMFER 0.3x45°	
SIMILAR TO	CRITICAL INDEX	WORK ORDER	JOB	QUANTITY DRAWN DATE BY	APPROVED
DENOMINATION INGOMBRI FILTRO AISI 316 7x40"				CODE FMC316LST0740	REV. 1
			MODIFICATION		DATE
			BY		
BARCODE				SCALE 1:5	PROJECTION