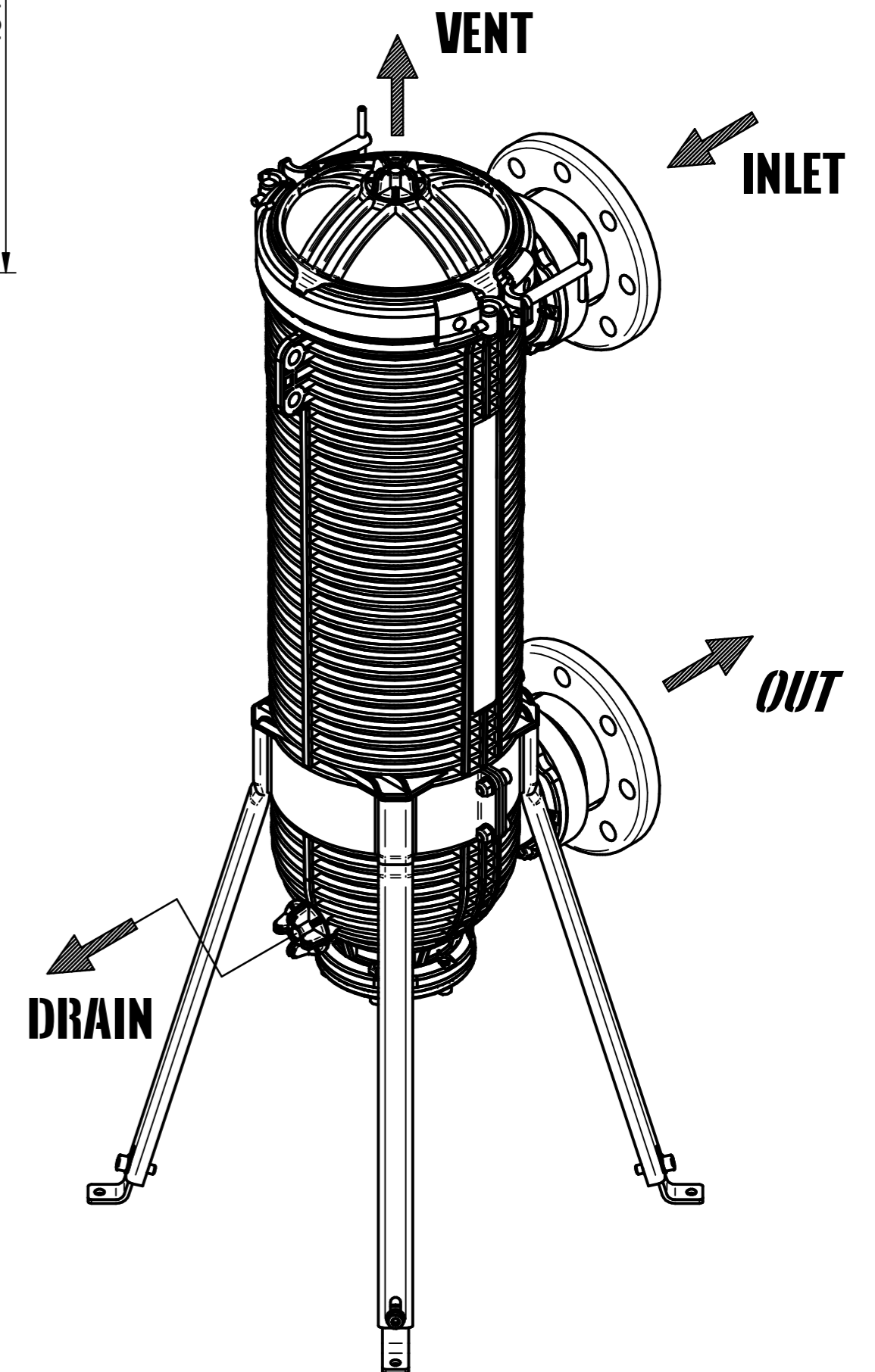
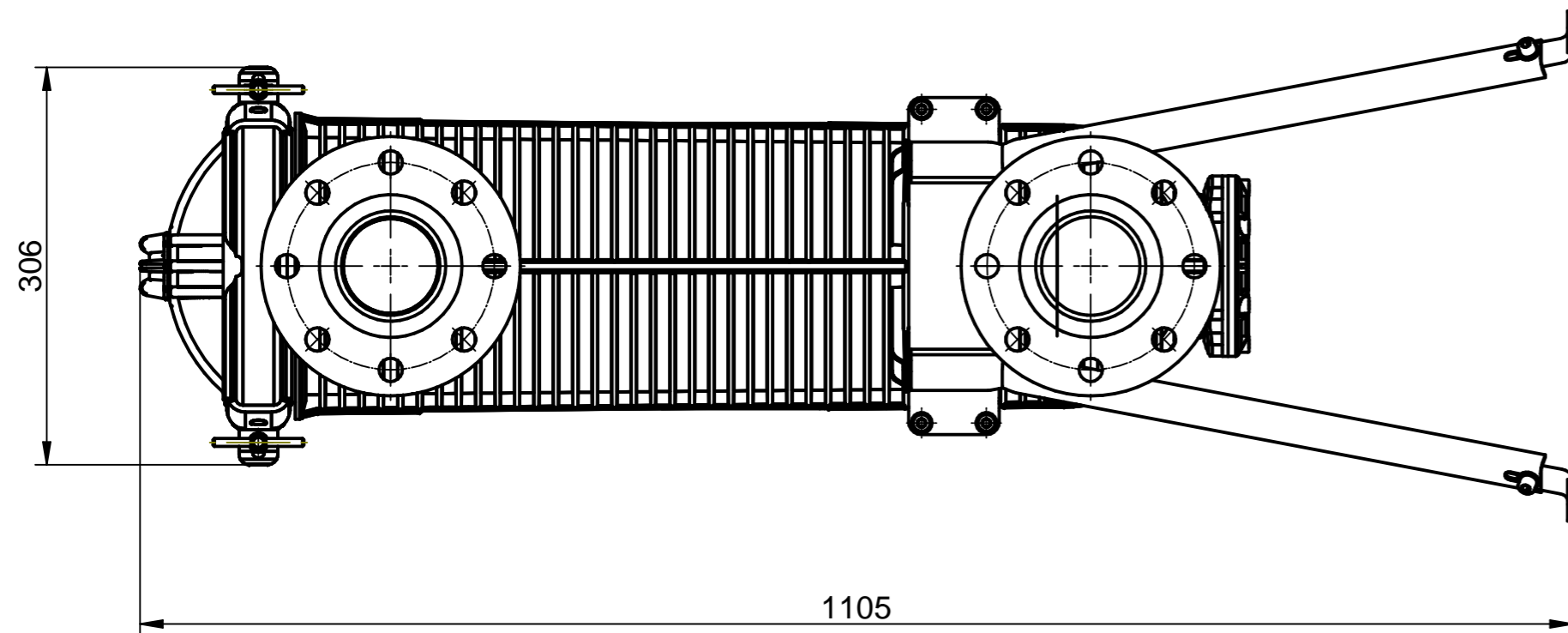
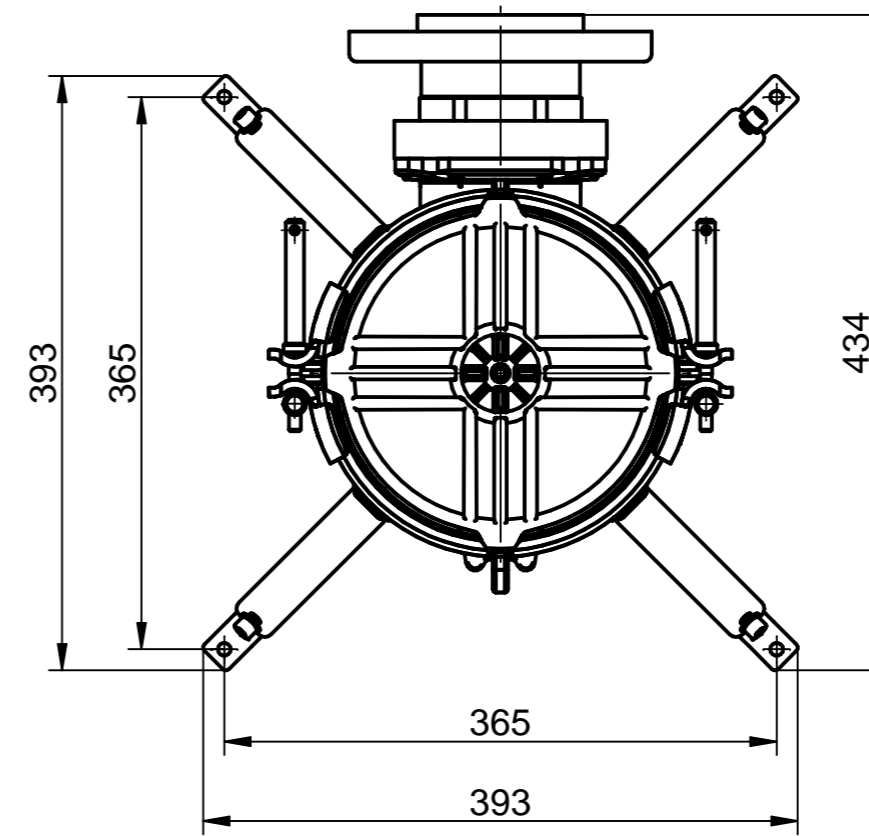
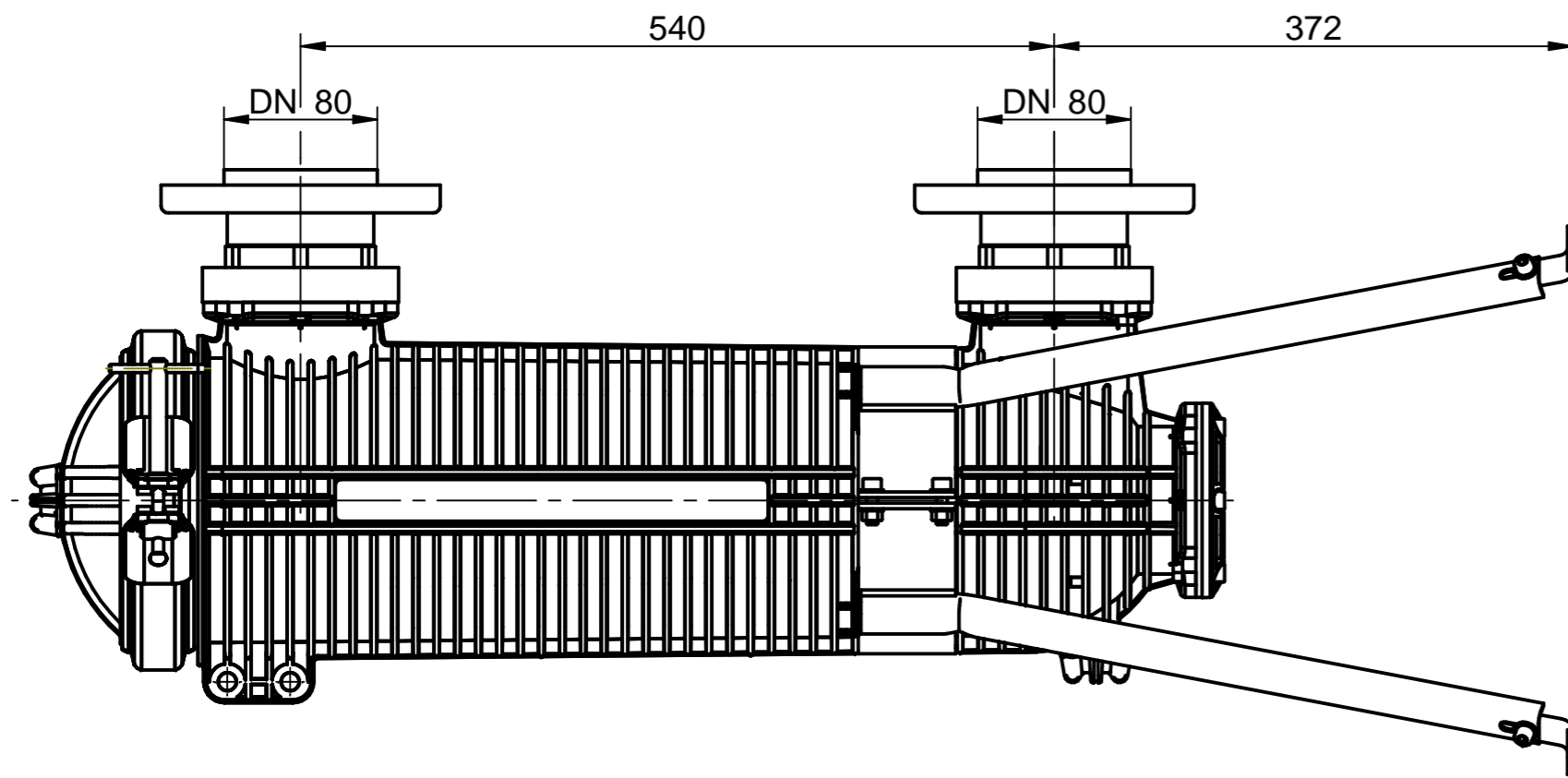


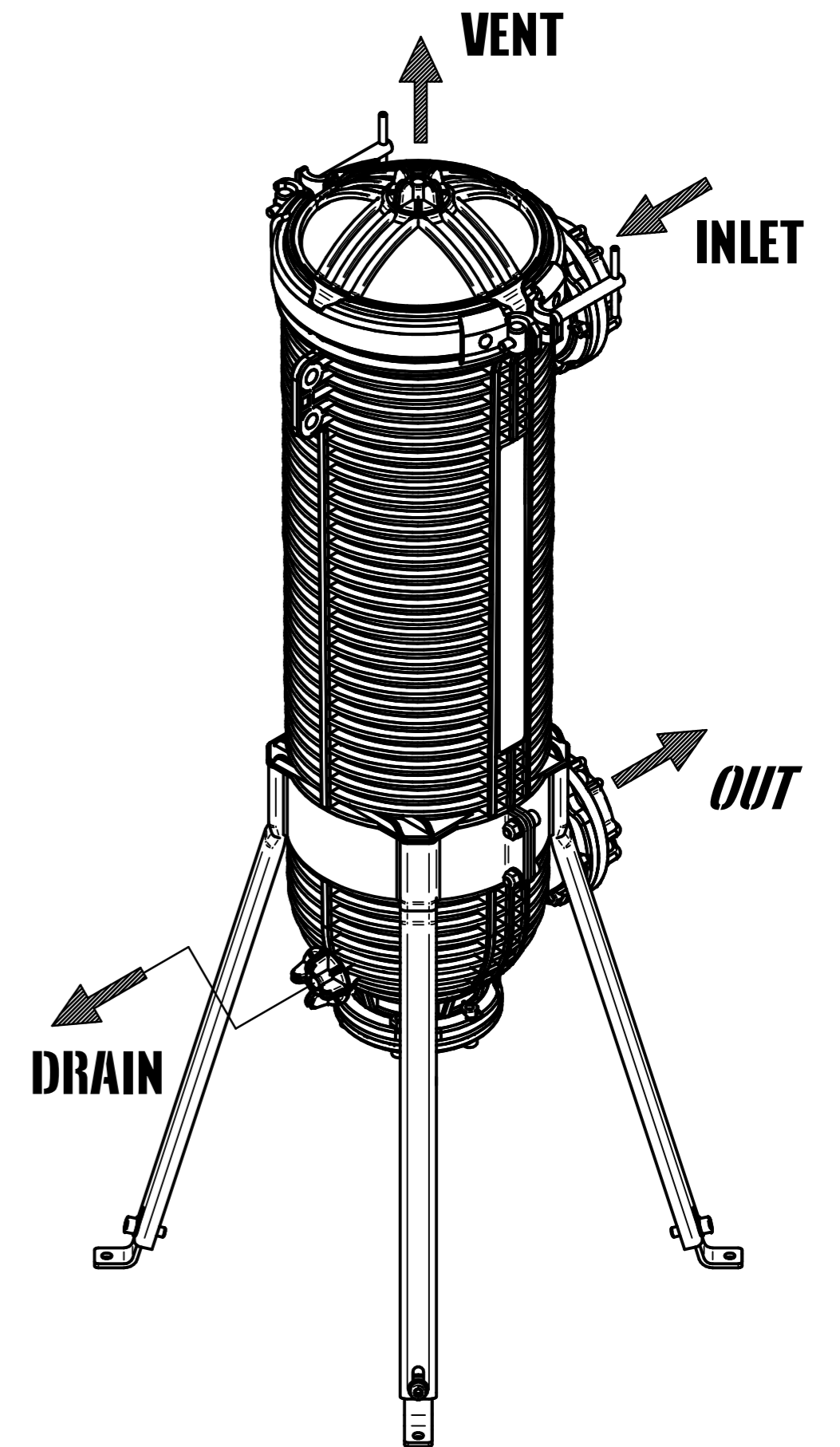
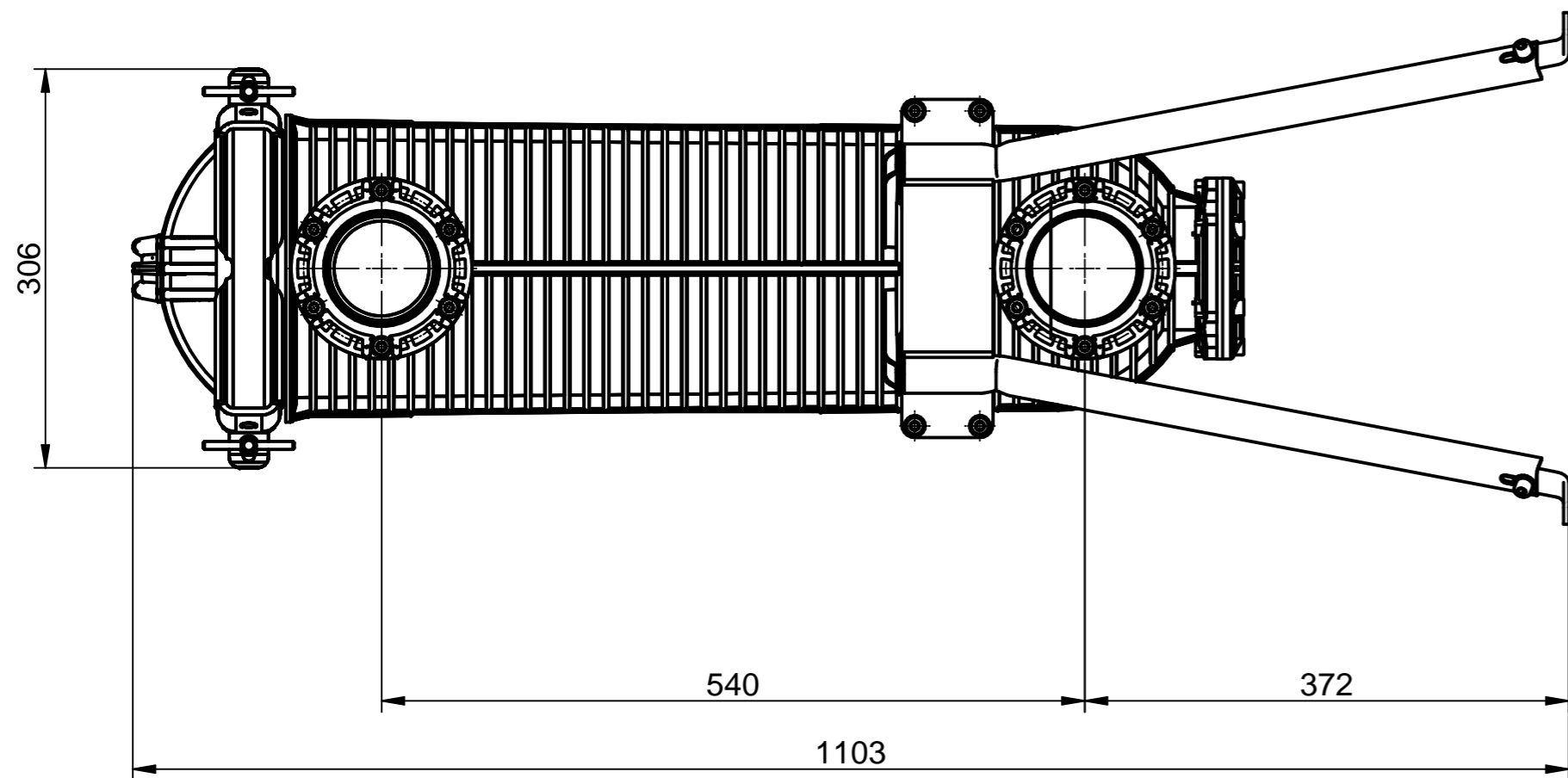
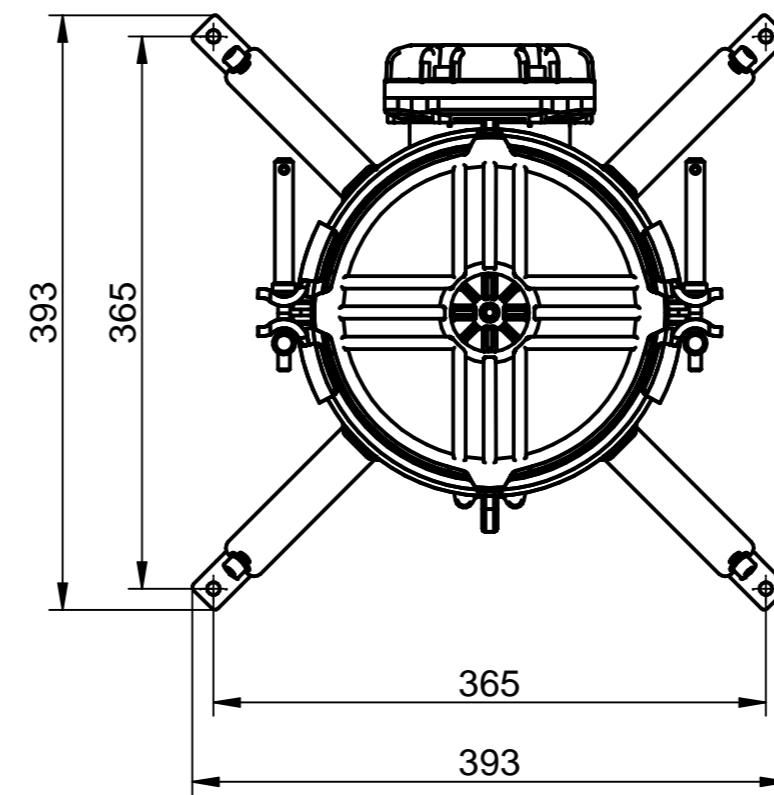
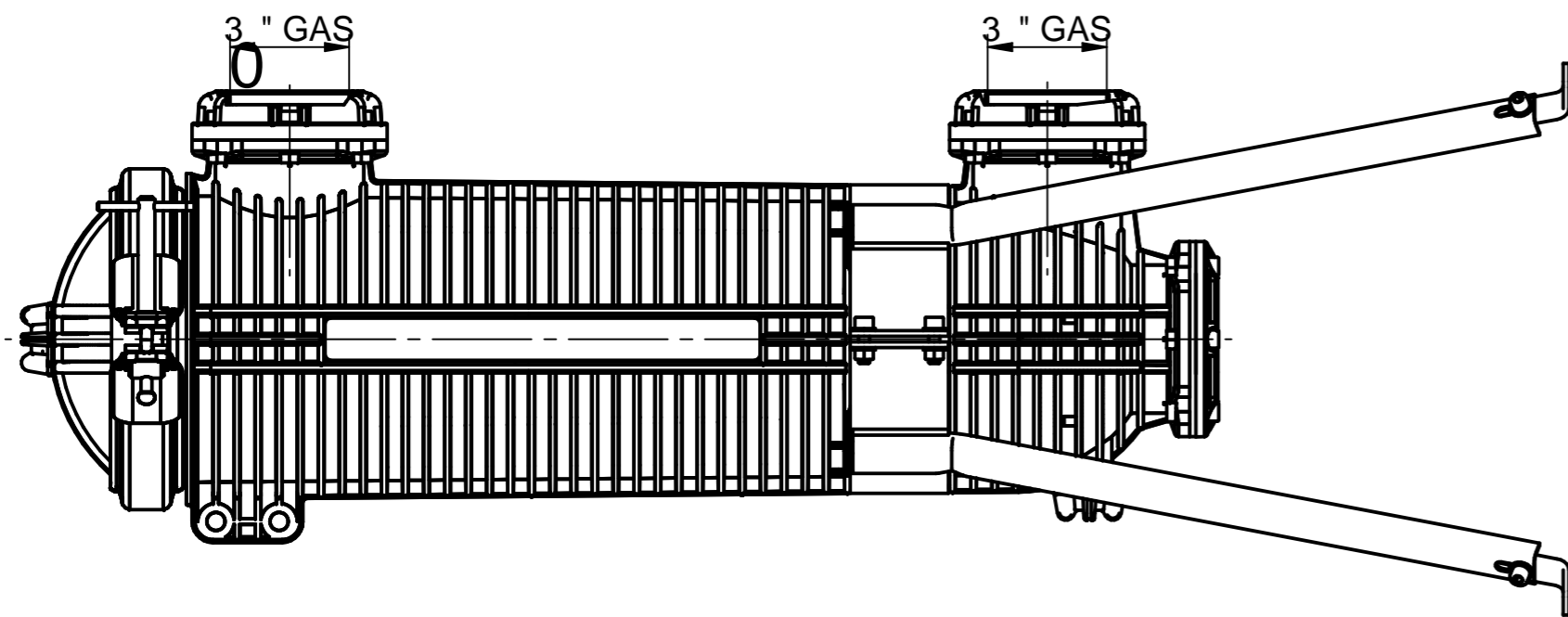
INGOMBRI FILTRO BAGONE 1x19"

IN / OUT - DN80



POS.	CODE	DENOMINATION			QUANTIT	MATERIALS
ALL DIMENSIONS MILLIMETERS	ALL SURFACES FINISH ROUGHNESS IN Ra μm	GENERAL TOLLERANCES UNLESS OTHERWISE SPECIFIED UNI-EN 22768-mk UNI-EN 22768-c			NOT QUOTED	FILLET R=0.3 CHAMFER 0.3x45°
SIMILAR TO	CRITICAL INDEX	WORK ORDER	JOB	QUANTITY	DRAWN DATE BY	APPROVED DATE BY
DENOMINATION					CODE	REV.
INGOMBRI FILTRO BAGONE 1x19"					BAGONEPP060119DN80F_I	
					MODIFICATION	DATE BY
REPRODUCTION IS PROHIBITED - ALL RIGHTS RESERVED ACCORDING TO THE LAW					SCALE	PROJECTION
					1:5	

INGOMBRI FILTRO BAGONE 1x19"
IN / OUT - FILETTATO 3"



POS.	CODE	DENOMINATION			QUANTIT	MATERIALS
ALL DIMENSIONS MILLIMETERS	ALL SURFACES FINISH ROUGHNESS IN Ra μm	GENERAL TOLLERANCES UNLESS OTHERWISE SPECIFIED UNI-EN 22768-mk UNI-EN 22768-c			NOT QUOTED	FILLET R=0.3 CHAMFER 0.3x45°
SIMILAR TO	CRITICAL INDEX	WORK ORDER	JOB	QUANTITY	DRAWN DATE BY	APPROVED DATE BY
DENOMINATION					CODE	REV.
INGOMBRI FILTRO BAGONE 1x19"					BAGONEPP060119300FT_I	
					MODIFICATION	DATE BY
REPRODUCTION IS PROHIBITED - ALL RIGHTS RESERVED ACCORDING TO THE LAW					SCALE	PROJECTION
					1:5	