
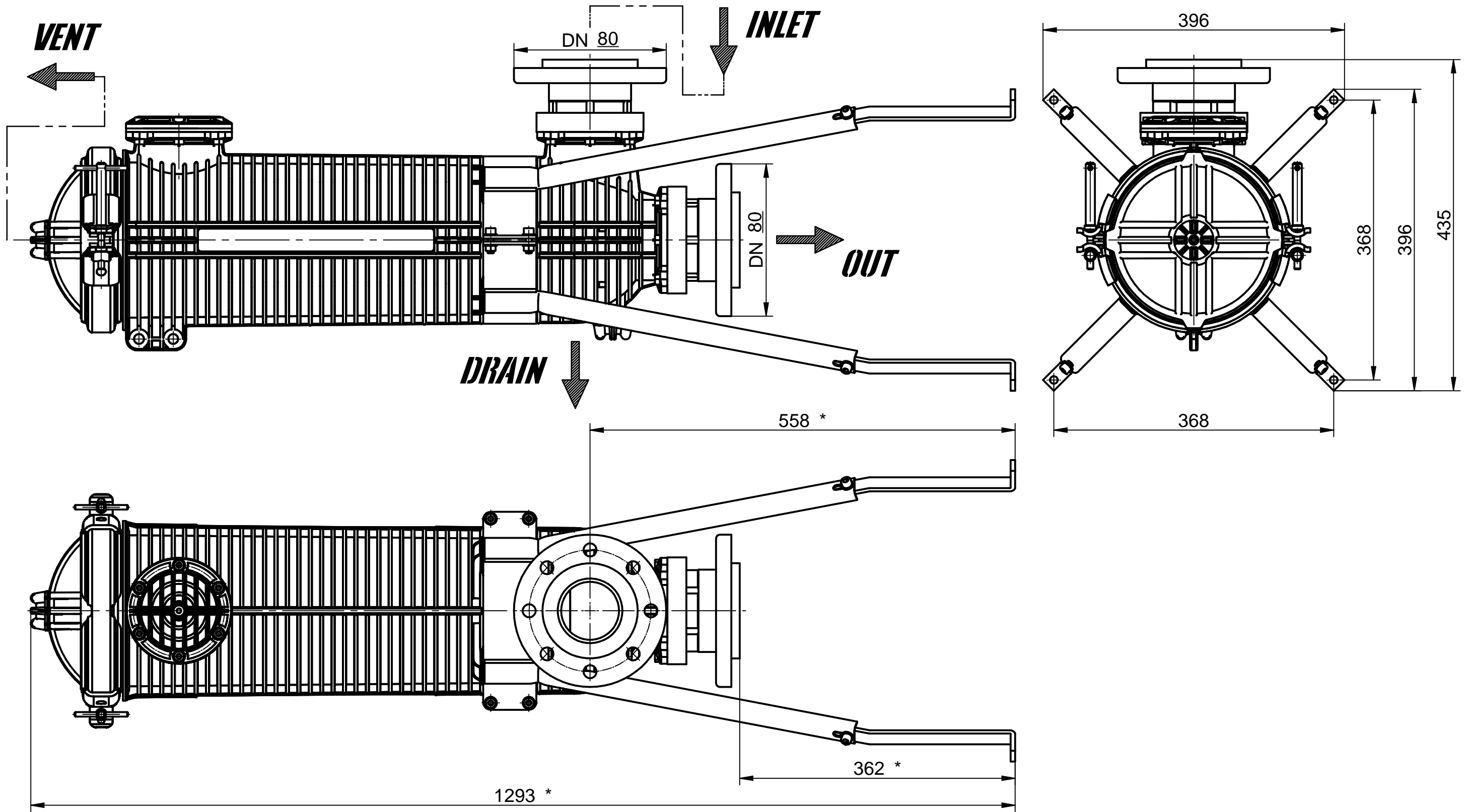


\* : LA QUOTA PUO' VARIARE DA 0-17 mm GRAZIE AI PIEDI REGOLABILI



\* : THE RATE CAN VARY FROM 0-17 mm THANKS TO ADJUSTABLE FEET

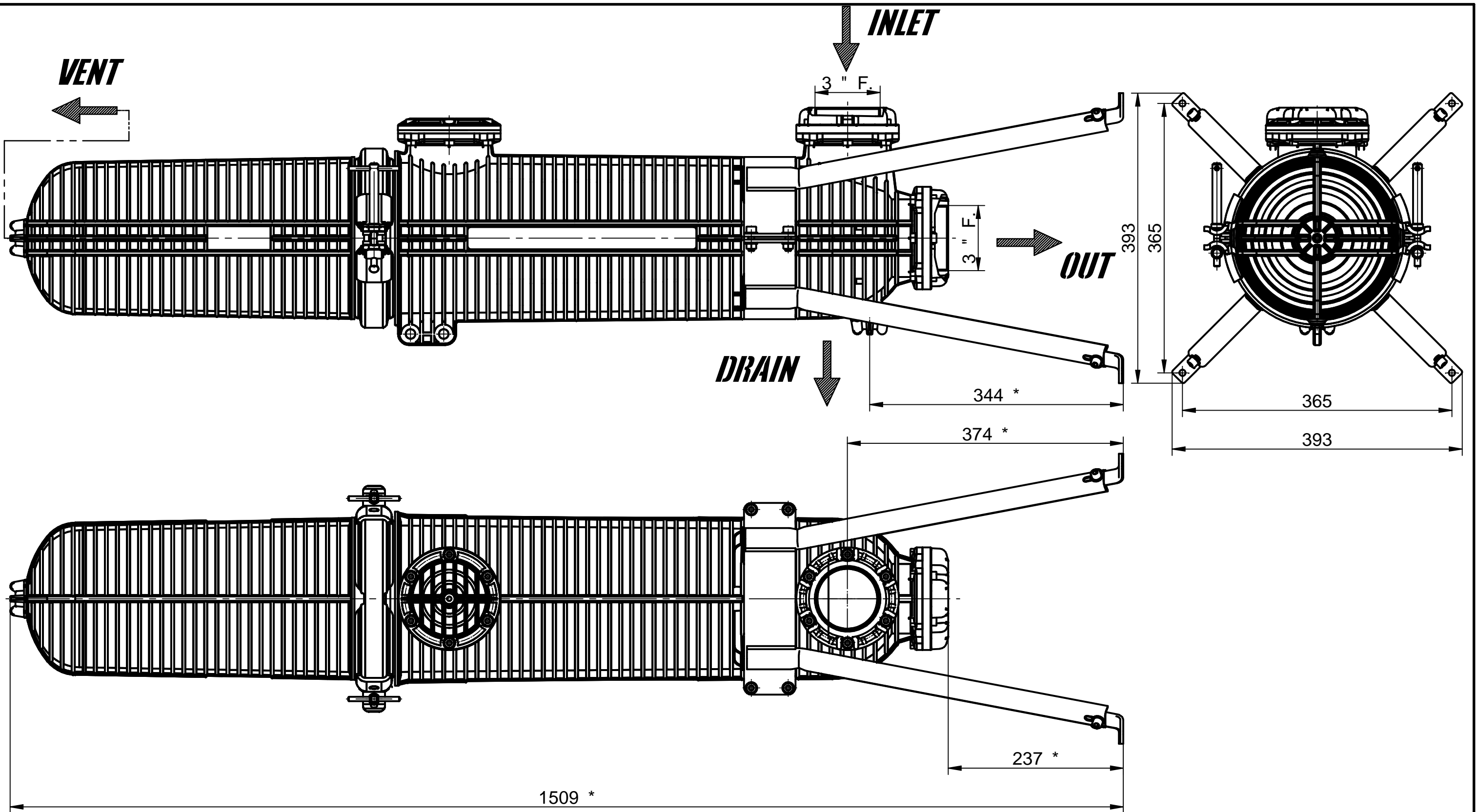
POS.	CODE	DENOMINATION			QUANTITY	MATERIALS		
ALL DIMENSIONS MILLIMETERS	ALL SURFACES FINISH ROUGHNESS IN Ra μm	GENERAL TOLLERANCES UNLESS OTHERWISE SPECIFIED UNI-EN 22768-mK UNI-EN 22768-c			NOT QUOTED FILLET R=0.3 CHAMFER 0.3x45°			
SIMILAR TO	CRITICAL INDEX	WORK ORDER	JOB	QUANTITY	DRAWN DATE BY	APPROVED DATE BY		
DENOMINATION <b>INGOMBRI FITRO FILTER FON-1 1x23"</b>					CODE <b>FILTER FON0123</b>			
					MODIFICATION		DATE	BY
					BARCODE		SCALE 1:5	PROJECTION
REPRODUCTION IS PROHIBITED - ALL RIGHTS RESERVED ACCORDING TO THE LAW								



\* : LA QUOTA PUO' VARIARE DA 0-17 mm GRAZIE AI PIEDI REGOLABILI



\* : THE RATE CAN VARY FROM 0-17 mm THANKS TO ADJUSTABLE FEET

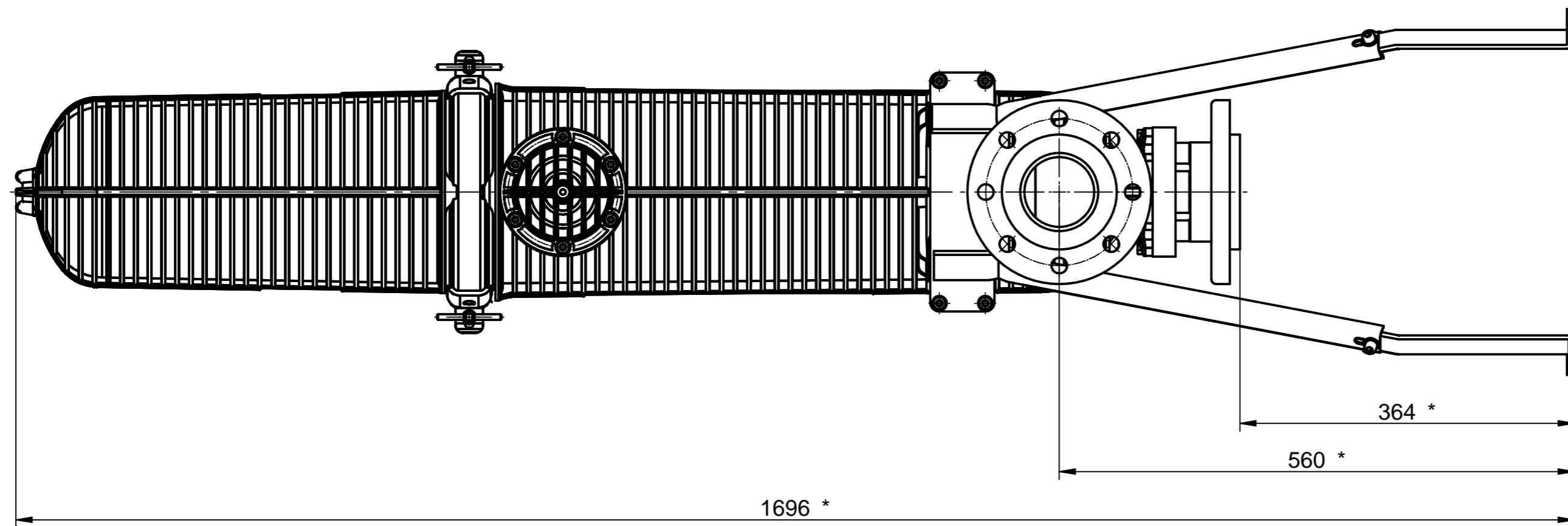
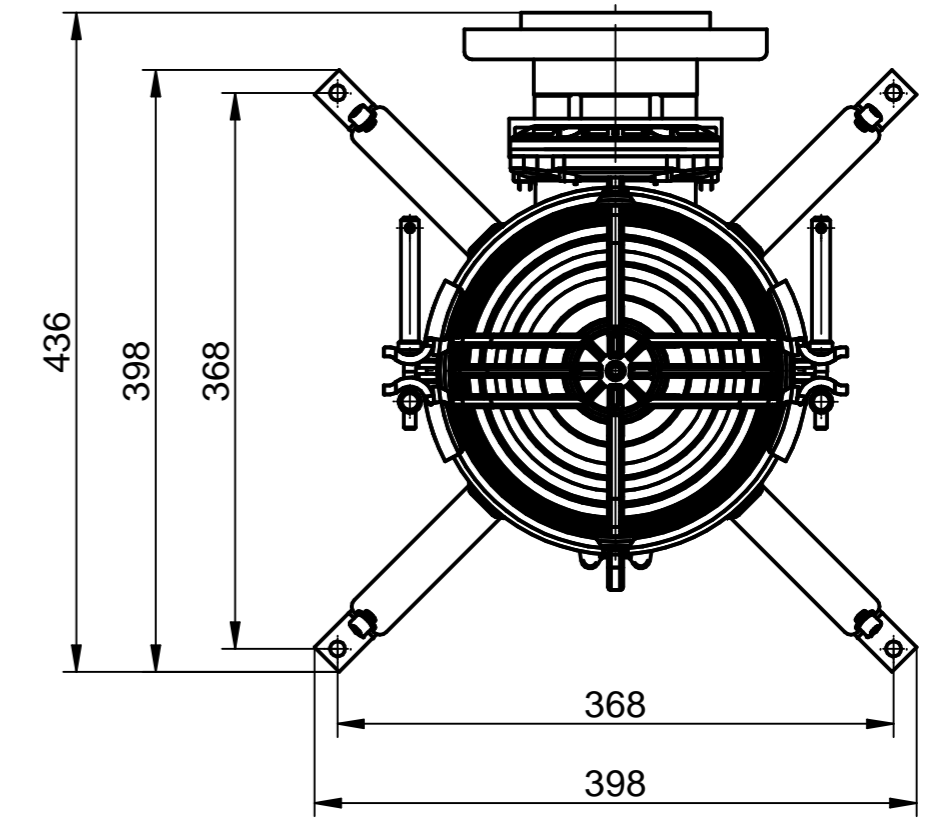
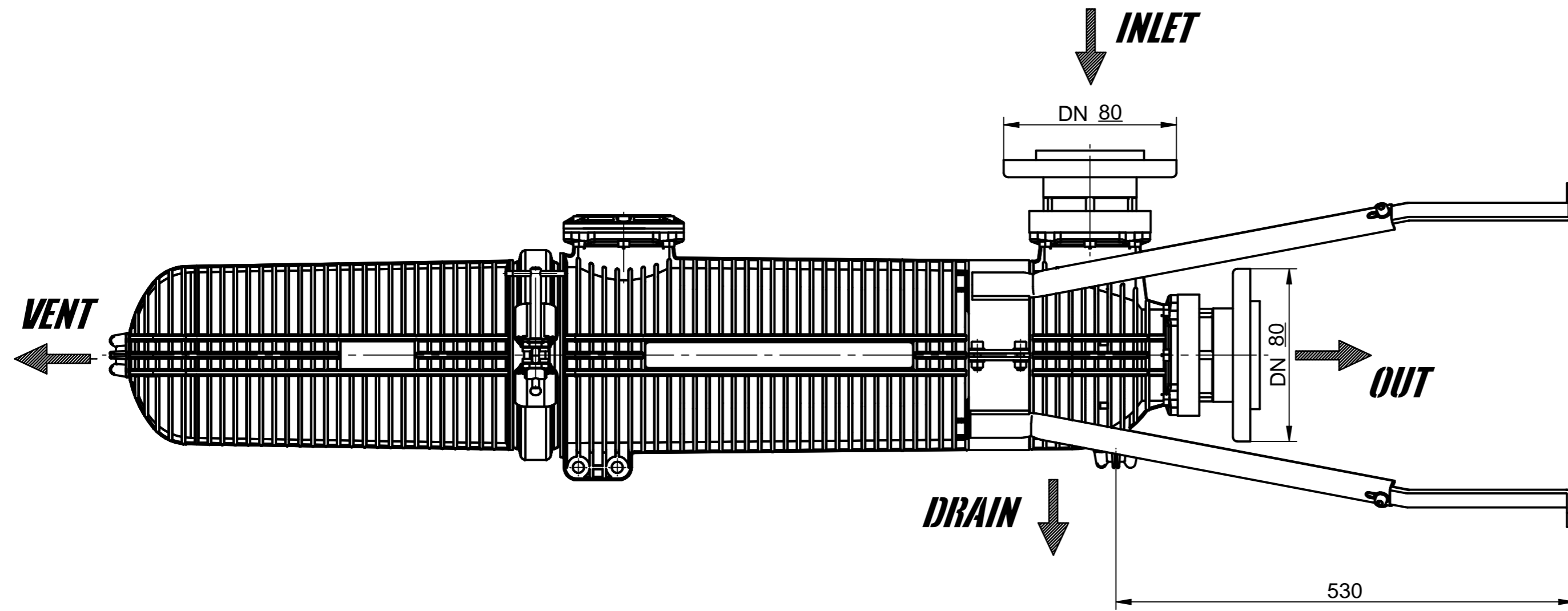
POS.	CODE	DENOMINATION				QUANTITY	MATERIALS	
ALL DIMENSIONS MILLIMETERS	ALL SURFACES FINISH ROUGHNESS IN Ra $\mu\text{m}$	GENERAL TOLLERANCES UNLESS OTHERWISE SPECIFIED UNI-EN 22768-mK UNI-EN 22768-c				NOT QUOTED FILLET R=0.3 CHAMFER 0.3x45°		
SIMILAR TO	CRITICAL INDEX	WORK ORDER	JOB	QUANTITY	DRAWN DATE BY	APPROVED DATE BY		
DENOMINATION					CODE		REV.	
INGOMBRI FILTRO FILTER FON-1 1x23" DN80 F					FILTERFON0123DN80F			
					MODIFICATION		DATE	BY
					BARCODE		SCALE	PROJECTION
REPRODUCTION IS PROHIBITED - ALL RIGHTS RESERVED ACCORDING TO THE LAW							1:5	



\* : LA QUOTA PUO' VARIARE DA 0-17 mm GRAZIE AI PIEDI REGOLABILI

\* : THE RATE CAN VARY FROM 0-17 mm THANKS TO ADJUSTABLE FEET

POS.	CODE	DENOMINATION			QUANTITY	MATERIALS		
ALL DIMENSIONS MILLIMETERS	ALL SURFACES FINISH ROUGHNESS IN Ra $\mu$ m	GENERAL TOLLERANCES UNLESS OTHERWISE SPECIFIED UNI-EN 22768-mK UNI-EN 22768-c			NOT QUOTED FILLET R=0.3 CHAMFER 0.3x45°			
SIMILAR TO	CRITICAL INDEX	WORK ORDER	JOB	QUANTITY	DRAWN DATE BY	APPROVED DATE BY		
DENOMINATION					CODE		REV.	
INGOMBRI FILTRO FILTER FON-1 1x40"					FILTERFON0140			
					MODIFICATION		DATE	BY
					BARCODE		SCALE	PROJECTION
REPRODUCTION IS PROHIBITED - ALL RIGHTS RESERVED ACCORDING TO THE LAW								
					1:5			



\* : LA QUOTA PUO' VARIARE DA 0-17 mm GRAZIE AI PIEDI REGOLABILI

\* : THE RATE CAN VARY FROM 0-17 mm THANKS TO ADJUSTABLE FEET

POS.	CODE	DENOMINATION			QUANTITY	MATERIALS
ALL DIMENSIONS MILLIMETERS	ALL SURFACES FINISH ROUGHNESS IN Ra $\mu\text{m}$	GENERAL TOLLERANCES UNLESS OTHERWISE SPECIFIED UNI-EN 22768-mK UNI-EN 22768-c			NOT QUOTED FILLET R=0.3 CHAMFER 0.3x45°	
SIMILAR TO	CRITICAL INDEX	WORK ORDER	JOB	QUANTITY	DRAWN DATE BY	APPROVED DATE BY
DENOMINATION				CODE	REV.	
INGOMBRI FILTRO FILTER FON-1 1x40" DN80 F				FILTERFON0140DN80		
				MODIFICATION	DATE	BY
				BARCODE	SCALE	PROJECTION
REPRODUCTION IS PROHIBITED - ALL RIGHTS RESERVED ACCORDING TO THE LAW				1:5		