

AZUD HELIX SYSTEM FT

STANDARD series: low salinity water - TDS < 6000 mg/l

SW series: high salinity water and sea water - TDS: 6000 - 55000 mg/l

	Materials of construction				Filtration degrees
	FT	FT SW	FT CL	FT DW	
MG disc	PP	PP	PP	PP FG	400 micron
WS disc	HDPE	HDPE	HDPE	HDPE	200 micron
Disc support	rPP	rPP	rPP	rPP FG	130 micron
Base/Lid	rPA	rPA	rPP	rPA FG	100 micron
Clamp	SS 304	SS 316L	SS 304	SS 316L	50 micron
Sealing o-rings	NBR	NBR	NBR	NBR	20 micron
					10 micron
					5 micron



Working conditions

Max. working pressure 10 bar (145 psi)

Min. working pressure 0.8 bar (11.6 psi)

pH 4 - 11

Water temperature ≤ 60 °C (140 °F)

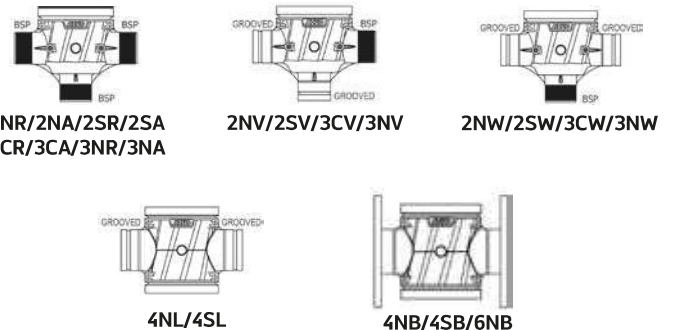
*6 bar (87 psi) for FT CL only.

Filtration area	Model	Q max 130 µm m³/h (gpm)	Connections	Dimensions L-W-H (mm)
1198 cm²	2"	30 (132)	2NR / 2NA - 3 Threaded connections (BSP or NPT respectively) 2NV - 2 Grooved connections 90° + 1 Threaded connection 2NW - 2 Grooved connections 180° + 1 Threaded connection 2SR / 2SA - 3 Threaded connections (BSP or NPT respectively)	310-212-595
1699 cm²	2" SUPER	30 (132)	2SV - 2 Grooved connections 90° + 1 Threaded connection 2SW - 2 Grooved connections 180° + 1 Threaded connection 3CR / 3CA - 3 Threaded connections (BSP or NPT respectively)	310-212-720
1198 cm²	3" COMPACT	50 (220)	3CV - 2 Grooved connections 90° + 1 Threaded connection 3CW - 2 Grooved connections 180° + 1 Threaded connection 3NR / 3NA - 3 Threaded connections (BSP or NPT respectively)	336-212-610
1699 cm²	3"	50 (220)	3NV - 2 Grooved connections 90° + 1 Threaded connection 3NW - 2 Grooved connections 180° + 1 Threaded connection	336-212-735
2396 cm²	4"	70 (308)	4NL - 2 Grooved connections 180° 4NB - 2 Flange connections DIN 2576 180° 4SL - 2 Grooved connections 180°	341-212-950
3398 cm²	4" SUPER	100 (440)	4SB - 2 Flange connections DIN 2576 180°	341-212-1200
3398 cm²	6"	100 (440)	6SB - 2 Flange connections DIN 2576 180°	531-212-1200

Diameters



Connections



Identification: AZUD HELIX SYSTEM FT 2SR SW MG 130 MICRON

CONNECTION (inch)

2": 2NR, 2NA, 2NV, 2NW, 2SR, 2SA, 2SV, 2SW

3": 3NR, 3NA, 3NV, 3NW, 3CR, 3CA, 3CV, 3CW

4": 4NL, 4NB, 4SL, 4SB

6": 6NB

TYPE OF FILTER according to water salinity

FT - Low salinity water (TDS < 6000 mg/l)

FT SW - High salinity water and sea water (TDS: 6000 - 55000 mg/l)

FT CL - Chlorinated water (free chlorine ≥ 1.5 mg/l)

FT DW - Suitable for drinking water

FILTRATION DEGREE (micron)

MG disc: MG 400, MG 200,

MG 130, MG 100

WS disc: WS 130, WS 100,

WS 50, WS 20, WS 10, WS 5

PP: Polypropylene rPP: Reinforced polypropylene SS: Stainless steel rPA: Reinforced polyamide HDPE: High density polyethylene FG: Food grade

NBR: Nitrile rubber